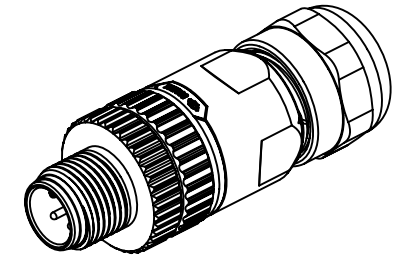
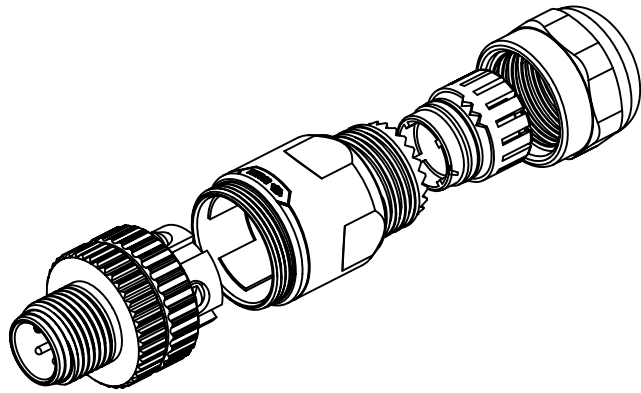


REV	DESCRIPTION	DATE	APPROVED
S0	CREATED DRAWING	2015/08/27	ZERA

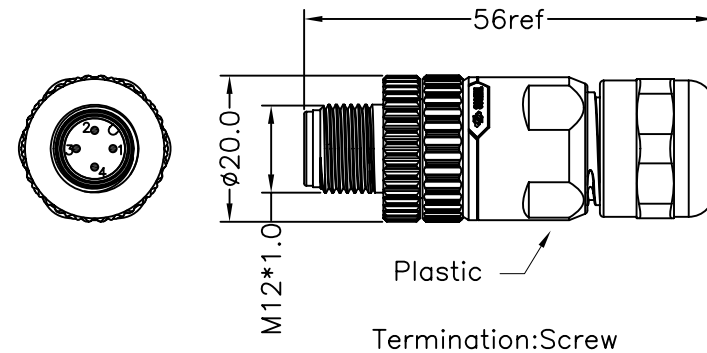


Detailed Product Description:
 Waterproof connector rating is IP67/IP68
 Protected from dust and water during immersion,
 resistant to many oils and chemical etc

Other Specification
 Contact PIN: Brass with Gold plating.
 Coupling nut/screw: 6061-t6 aluminum
 Insulation plastic: PA66+GF
 Degree of protection: IP67/IP68
 Operating temperature: -25° ~ +85°

According to IEC61076-1-101

*ALL MATERIALS ARE RoHS COMPLIANT.



Electrical character

Part Number	Contacts	Rated voltage		Rated current	Contact Resistance	Cable OD (mm)
		A/C	D/C			
120104-01-022		250V	250V	4A	10mΩ	6~8

SIGNAL [®] Shenzhen Signal Electronics Co., LTD		TITLE M12 assembly male connector (plastic)	
		SGN NO 120104-01-022	REV. SO
DRAWN BY	DATE	DWG NO AS12AM04009	
CHECKED BY	DATE	CUSTOMER	
APPROVED BY	DATE	TOLERANCES ARE:	
<small>THE INFORMATION CONTAINED IN THIS DRAWING IS THE SOLE PROPERTY OF SIGNAL COMPANY. ANY REPRODUCTION IN PART OR WHOLE WITHOUT THE WRITTEN PERMISSION OF SIGNAL COMPANY IS PROHIBITED.</small>		DECIMALES .x ±0.5	ANGLES x.' ±2.0'
		.xx ±0.20	.x' ±1.0'
		THIRD ANGLE PROJECTION	
		SCALE:	SHEET: 1 OF 1