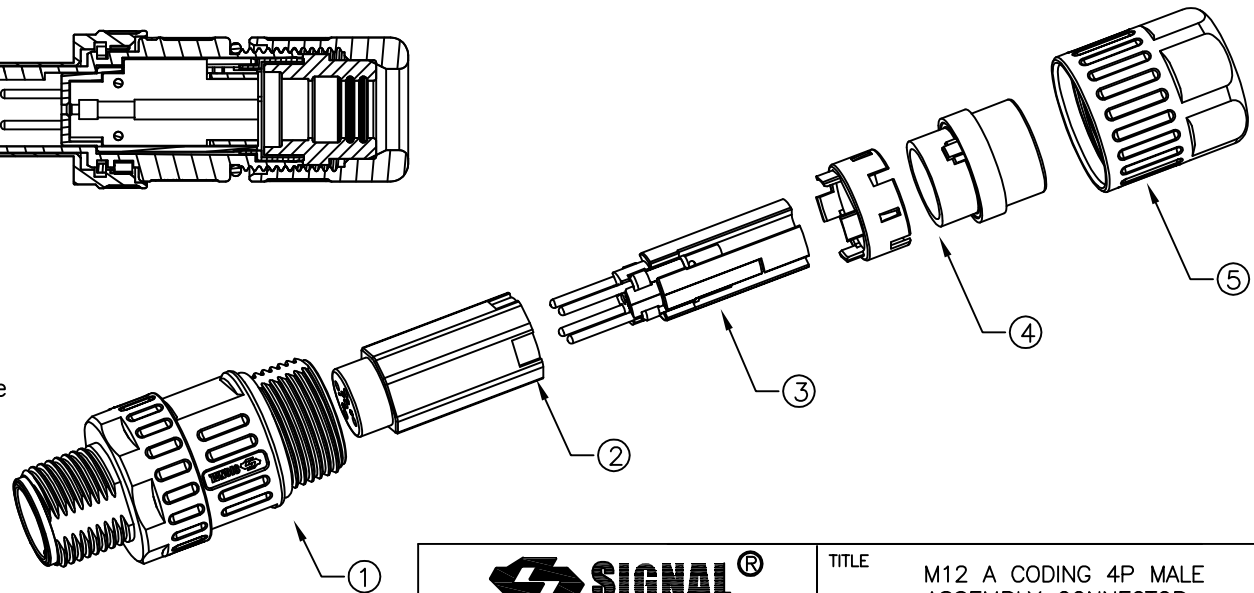
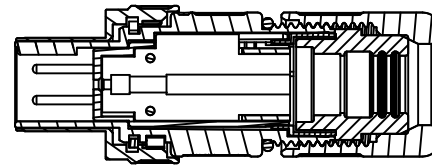
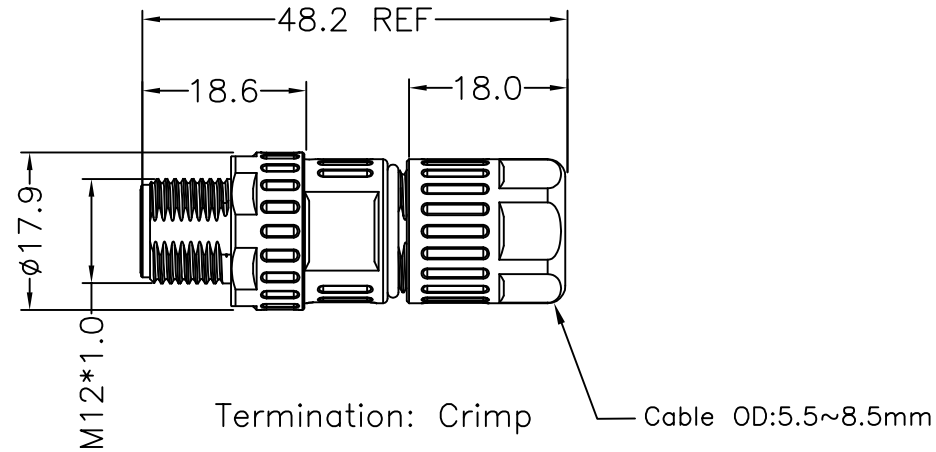
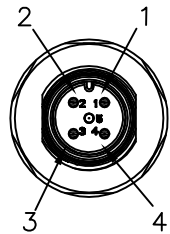


REV	DESCRIPTION	DATE	APPROVED
S0	CREATED DRAWING	2021/04/09	ZK



Detailed Product Description:  
 Waterproof connector rating is IP67  
 They can not be used permanently under water  
 Per ISO-20653,IEC60529

Connector Electrical character  
 Rating voltage: 250V  
 Insulation resistance: >100MΩ  
 Rating current : 4A  
 Contact resistance of connector ≤10mΩ  
 Mechanical characteristics: mating / cycle >100cycle  
 Operating temperature: -25°C ~ +85°C

\*ALL MATERIALS ARE RoHS COMPLIANT\*

⑤	N/A	M14*1.0 TAIL NUT	1	SET
④	N/A	TAIL WATERPROOF PARTS	1	SET
③	N/A	M12 A 5P MALE CONNECTOR PARTS	1	SET
②	N/A	INSULATOR SHEATH	1	SET
①	N/A	M12*1.0 SHELL PART	1	SET

ITEM	PART NO.	SPECIFICATION	Q'TY	UNIT
------	----------	---------------	------	------

<b>SIGNAL</b> <sup>®</sup> Shenzhen Signal Electronics Co., LTD		TITLE		M12 A CODING 4P MALE ASSEMBLY CONNECTOR	
		SGN NO	120104-01-034		REV.
DRAWN BY	DATE	DWG NO	SO		
CHECKED BY	DATE	CUSTOMER			
CHECKED BY	DATE	TOLERANCES ARE: DECIMALES    ANGLES .x ±0.5        x.' ±2.0' .xx ±0.20     .x' ±1.0'			
APPROVED BY	DATE				
<small>THE INFORMATION CONTAINED IN THIS DRAWING IS THE SOLE PROPERTY OF SIGNAL COMPANY. ANY REPRODUCTION IN PART OR WHOLE WITHOUT THE WRITTEN PERMISSION OF SIGNAL COMPANY IS PROHIBITED.</small>		THIRD ANGLE PROJECTION	SIZE: A4	UNITS: mm	
		SCALE:	SHEET: 1 OF 1		