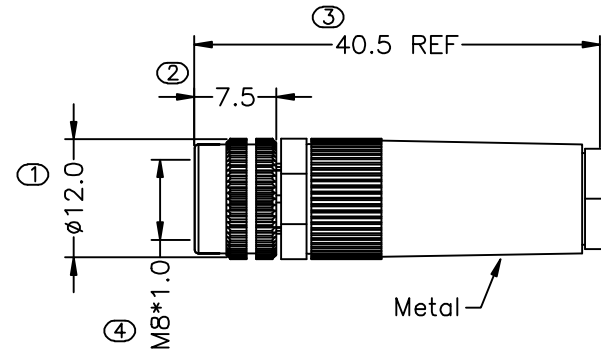
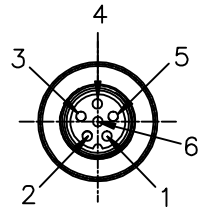


REV	DESCRIPTION	DATE	APPROVED
S0	CREATED DRAWING	2021/07/16	ZK

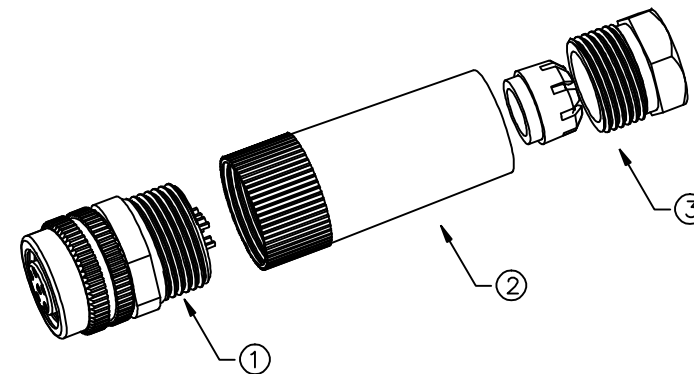


TERMINATION:Solder

Detailed Product Description:
Waterproof connector rating is IP67
They can not be used permanently under water.

Connector Electrical character
Rating voltage: 30V
Insulation resistance: $\geq 100M\Omega$
Rating current: 1.5A
Contact resistance of connector $< 10m\Omega$
Mechanical characteristics: mating / cycle > 100 cycle
Operating temperature: $-25^{\circ}C \sim +80^{\circ}C$

*ALL MATERIALS ARE RoHS COMPLIANT.



ITEM	PART NO.	SPECIFICATION	Q'TY	UNIT
③	N/A	M8 REAR WATERPROOF PARTS	1	SET
②	WK00075	M8 BRASS PLATING NI SHELL	1	PCS
①	N/A	M8 6P/F CONNECTOR	1	SET

 ShenZhen Signal Electronics co.,Ltd		TITLE	
		M8 A 6P FEMALE CONNECTOR (SOLDER)	
DRAWN BY		DATE	
CHECKED BY		DATE	
APPROVED BY		DATE	
<small>THE INFORMATION CONTAINED IN THIS DRAWING IS THE SOLE PROPERTY OF SIGNAL COMPANY. ANY REPRODUCTION IN PART OR WHOLE WITHOUT THE WRITTEN PERMISSION OF SIGNAL COMPANY IS PROHIBITED.</small>		TOLERANCES ARE: DECIMALES ANGLES .x ±0.5 x.* ±2.0° .xx ±0.20 .x.* ±1.0°	
THIRD ANGLE PROJECTION		SIZE: A4	UNITS: mm
SCALE:		SHEET: 1 OF 1	