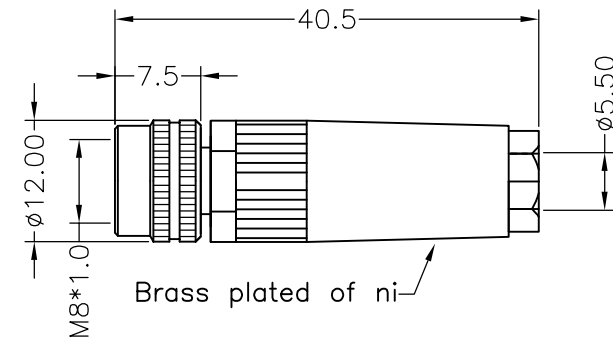
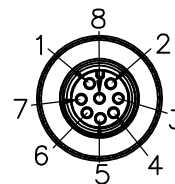



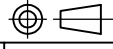
REV	DESCRIPTION	DATE	APPROVED
S0	CREATED DRAWING	2018/01/28	HENG

Detailed Product Description:
 Waterproof connector rating is IP68
 They can not be used permanently under water.

Connector Electrical character
 Rating voltage: 30V AC/DC ,
 Insulation resistance: >100MΩ
 Rating current : 1.5A
 Contact resistance of connector ≤5mΩ
 Mechanical characteristics: mating / cycle >100 cycle
 Operating temperature: -25°C ~ +85°

*ALL MATERIALS ARE RoHS COMPLIANT.



 ShenZhen Signal Electronics co.,Ltd		TITLE M8 A CODING 8P/F ASSEMBLY CONNECTOR	
		SGN NO 080108-02-001	REV.
DRAWN BY	DATE	DWG NO	
CHECKED BY	DATE	CUSTOMER	
APPROVED BY	DATE	S0	
<small>THE INFORMATION CONTAINED IN THIS DRAWING IS THE SOLE PROPERTY OF SIGNAL COMPANY. ANY REPRODUCTION IN PART OR WHOLE WITHOUT THE WRITTEN PERMISSION OF SIGNAL COMPANY IS PROHIBITED.</small>		TOLERANCES ARE: DECIMALES .x ±0.5 .xx ±0.20 ANGLES x.' ±2.0' .x' ±1.0'	THIRD ANGLE PROJECTION  SIZE: A4 UNITS: mm SCALE: SHEET: 1 OF 1