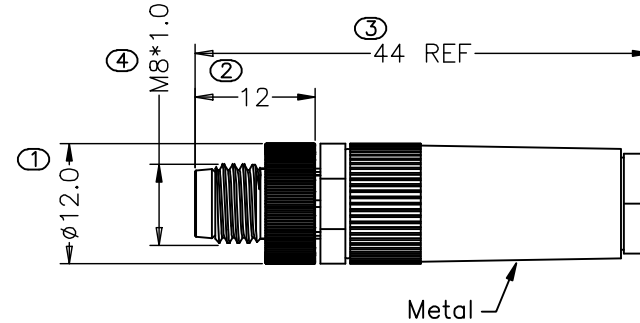
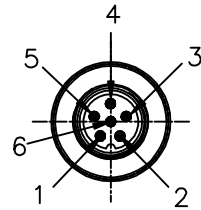


REV	DESCRIPTION	DATE	APPROVED
S0	CREATED DRAWING	2021/07/16	ZK

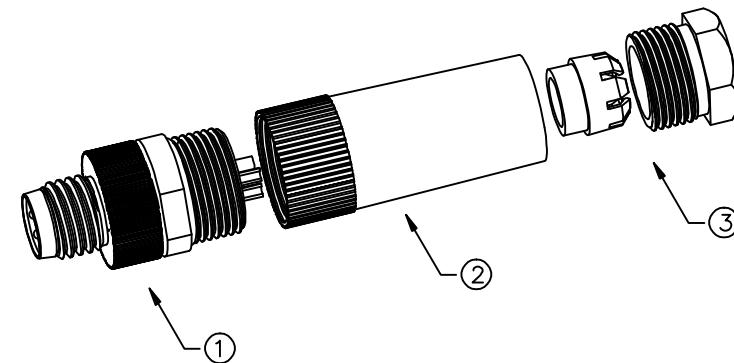



TERMINATION:Solder

Detailed Product Description:
Waterproof connector rating is IP67
They can not be used permanently under water.

Connector Electrical character
Rating voltage: 30V
Insulation resistance: $\geq 100M\Omega$
Rating current: 1.5A
Contact resistance of connector $< 10m\Omega$
Mechanical characteristics: mating / cycle > 100 cycle
Operating temperature: $-25^{\circ}C \sim +80^{\circ}C$

*ALL MATERIALS ARE RoHS COMPLIANT.



 SIGNAL [®] ShenZhen Signal Electronics co.,Ltd		TITLE M8 A 6P MALE CONNECTOR (SOLDER)	
		SGN NO 080106-01-001	REV. SO
DRAWN BY	DATE	CUSTOMER	
CHECKED BY	DATE	TOLERANCES ARE:	
CHECKED BY	DATE	DECIMALES	ANGLES
APPROVED BY	DATE	.x ± 0.5	x.' $\pm 2.0^{\circ}$
<small>THE INFORMATION CONTAINED IN THIS DRAWING IS THE SOLE PROPERTY OF SIGNAL COMPANY. ANY REPRODUCTION IN PART OR WHOLE WITHOUT THE WRITTEN PERMISSION OF SIGNAL COMPANY IS PROHIBITED.</small>		.xx ± 0.20	.x' $\pm 1.0^{\circ}$
		THIRD ANGLE PROJECTION	SCALE: SHEET: 1 OF 1

ITEM	PART NO.	SPECIFICATION	Q'TY	UNIT
③	N/A	M8 REAR WATERPROOF PARTS	1	SET
②	WK00075	M8 BRASS PLATING NI SHELL	1	PCS
①	N/A	M8 6P/M CONNECTOR	1	SET