

PROJECT NO:  
SGNYD2210081

REV	DESCRIPTION	DATE	APPROVED
S0	CREATED DRAWING	2022/10/21	CYF

Detailed Product Description:  
Waterproof connector rating is IP67  
Per ISO-20653, IEC60529

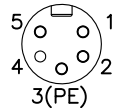
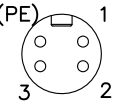
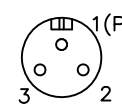
Connector Electrical character  
Rating voltage: SEE LIST  
Insulation resistance: >100MΩ  
Rating current: SEE LIST  
Contact resistance of connector <10mΩ  
Mechanical characteristics: mating/cycle >100 cycle  
Operating temperature: -25°C ~ +85°C

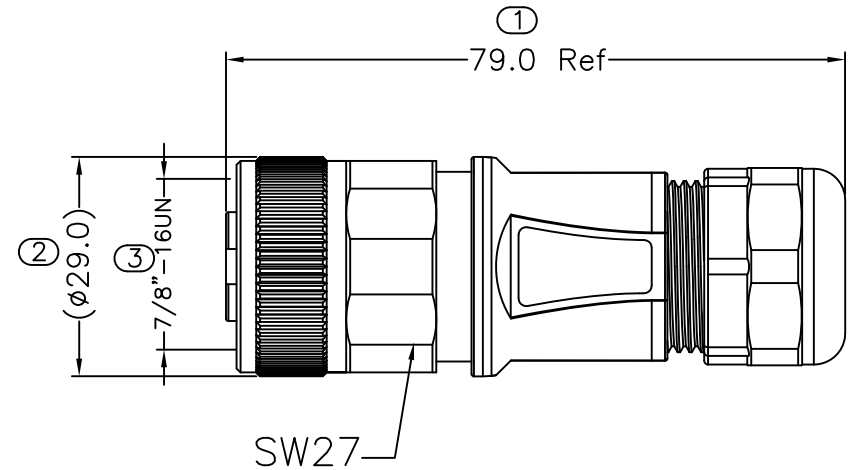
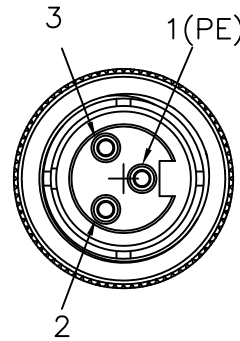
Other Specification  
Contact PIN: Brass copper with Gold plating  
Coupling nut/screw: Brass nickel plated  
Contact body material: TPU  
Insulation plastic: PA66+GF UL94 V-0

Conductor installation method: lock screw  
Torque : 0.8 Nm (7/8" plug-in connector) / 0.4 Nm (screw terminal)  
Cross-sectional area: MAX 1.5mm<sup>2</sup>  
1 Nm ... 1.4 Nm (fastening nut)

\*ALL MATERIALS ARE RoHS COMPLIANT

Electrical character

Part Number	Contacts	Rated voltage		Rated current	Cable OD (mm)
		A/C	D/C		
780005-02-008	 3(PE)	300V	300V	9A	6.0~12.0
780004-02-008	 4(PE)	300V	300V	9A	6.0~12.0
780003-02-006	 1(PE)	300V	300V	12A	6.0~12.0



Shenzhen Signal Electronics co.,Ltd

TITLE 7/8" \*P/F ASSEMBLY CONNECTOR

DRAWN BY

DATE

SGN NO SEE LIST

REV.

CHECKED BY

DATE

DWG NO

S0

CHECKED BY

DATE

CUSTOMER

APPROVED BY

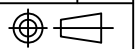
DATE

TOLERANCES ARE:

DECIMALES

ANGLES

THIRD ANGLE PROJECTION



.x ±0.5

x.' ±1.0'

SIZE: A4

UNITS: mm

.xx ±0.2

.x' ±0.5'

SCALE:

SHEET: 1 OF 1