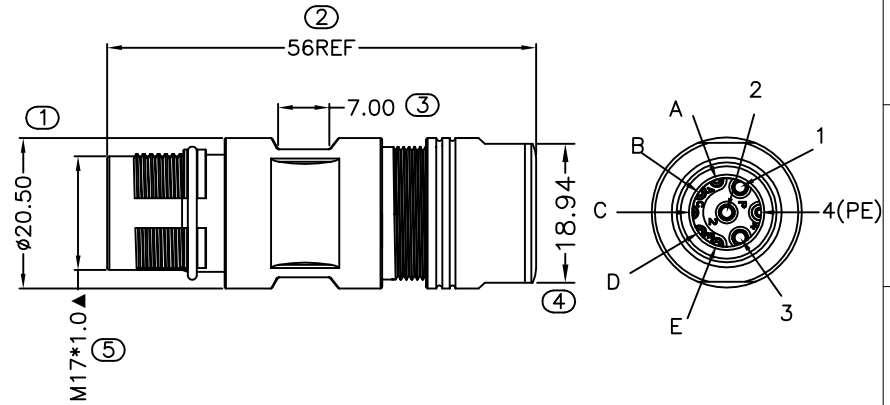
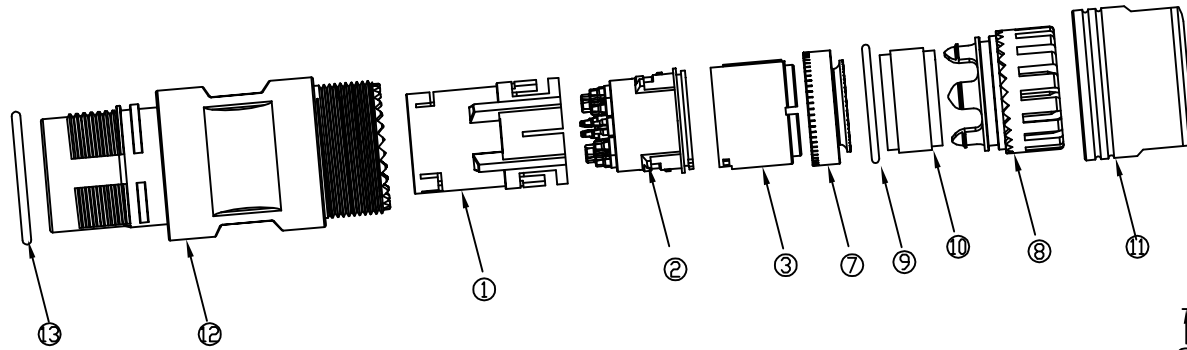


REV	DESCRIPTION	DATE	APPROVED
S0	CREATED DRAWING	2022/08/04	CHZ

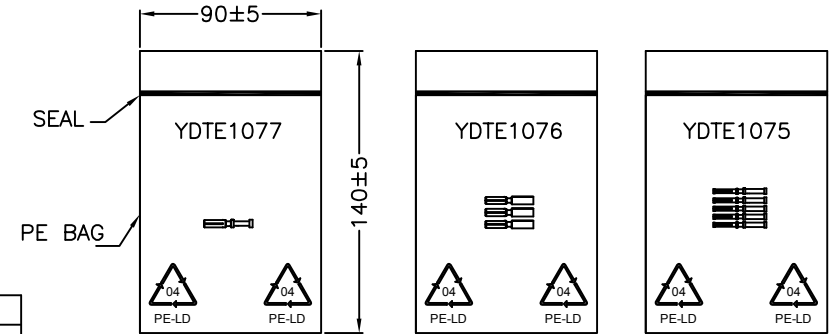


DETAILED PRODUCT DESCRIPTION:  
 WATERPROOF CONNECTOR RATING IS IP67  
 THEY CAN NOT BE USED PERMANENTLY UNDER WATER  
 PER ISO-20653, IEC60529

ELECTRICAL PROPERTIES AT +20°C  
 RATING VOLTAGE: 60/630V AC/DC  
 INSULATION RESISTANCE: >100MΩ  
 RATING CURRENT: 3.6/14A  
 CONTACT RESISTANCE OF CONNECTOR ≤5mΩ  
 MECHANICAL CHARACTERISTICS: MATING CYCLE >100 CYCLES  
 OPERATING TEMPERATURE: -25°C ~ +125°C

\*ALL MATERIALS ARE ROHS COMPLIANT\*

TERMINAL SEPARATE PE BAG PACKAGING ILLUSTRATION:



⑬	YDWK0207	M17 BLACK O-RING $\phi 15.8 \times 1.2 \text{mm}$	1	PCS
⑫	YDWK0686	M17 BRASS WITH NI PLATING FEMALE SHELL L=46.5mm	1	PCS
⑪	YDNU0137	M17 BRASS NICKEL PLATED TAIL NUT $\phi 20.5 \times 15 \text{MM}$	1	PCS
⑩	YDOR0206	M17 9PIN REAR SEAL RING	1	PCS
⑨	YDOR0208	M17 GREEN O-RING $\phi 14.2 \times 1.0 \text{mm}$	1	PCS
⑧	YDCN0874	M17 BLACK TAIL SIX CLAWS(PA66)	1	PCS
⑦	YDCN0873	M17 BRASS NICKEL PLATED TAIL COLLAR	1	PCS
⑥	YDTE1077	M17 RIVETED COPPER GOLD PLATED 1U" FEMALE TERMINAL, $\phi 1.0 \text{MM}(\text{PE})$	1	PCS
⑤	YDTE1076	M17 RIVETED COPPER GOLD PLATED 1U" FEMALE TERMINAL, $\phi 1.0 \text{MM}$	3	PCS
④	YDTE1075	M17 RIVETED COPPER GOLD PLATED 1U" FEMALE TERMINAL, $\phi 0.6 \text{MM}$	5	PCS
③	YDCN0872	M17 9PIN BLACK BUCKLE(PA66) L=11.3mm	1	PCS
②	YDCN0876	M17 9PIN WHITE FEMALE REAR HOUSING (PA66+GF)	1	PCS
①	YDCN0870	M17 9PIN BLACK FEMALE FRONT HOUSING (PA66+GF)	1	PCS
ITEM	PART NO.	SPECIFICATION	Q'TY	UNIT

 <b>SIGNAL</b> <sup>®</sup> Shenzhen Signal Electronics co.,Ltd		TITLE	
		M17 9PIN FEMALE METAL ASSEMBLED CONNECTOR	
DRAWN BY		DATE	REV.
CHECKED BY		DATE	SO
CHECKED BY		DATE	
APPROVED BY		DATE	
THE INFORMATION CONTAINED IN THIS DRAWING IS THE SOLE PROPERTY OF SIGNAL COMPANY. ANY REPRODUCTION IN PART OR WHOLE WITHOUT THE WRITTEN PERMISSION OF SIGNAL COMPANY IS PROHIBITED.		TOLERANCES ARE: DECIMALES ANGLES .x ±0.50 x.' ±2.0' .xx ±0.20 .x' ±1.0'	THIRD ANGLE PROJECTION 
		SIZE: A4	UNITS: mm
		SCALE: 1:1	SHEET: 1 OF 1