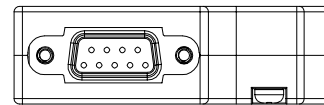
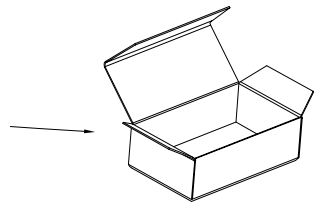
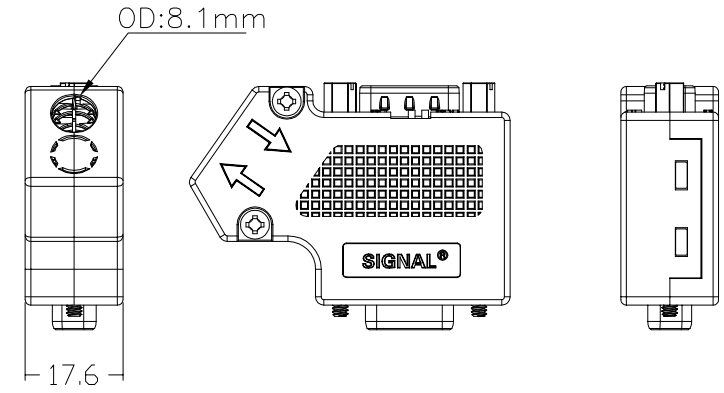
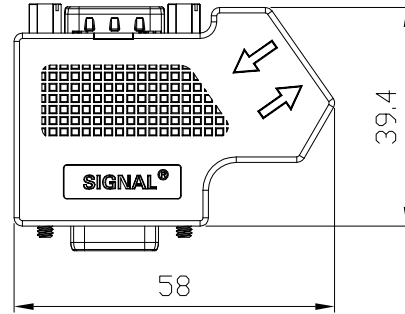
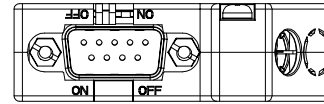
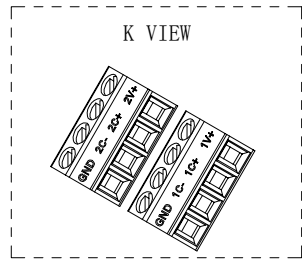
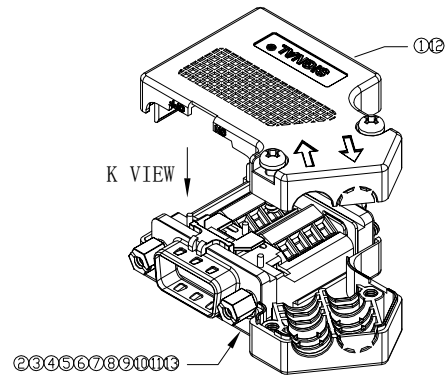


REV	DESCRIPTION	DATE	APPROVED
S0	CREATED DRAWING	2023/03/29	XD

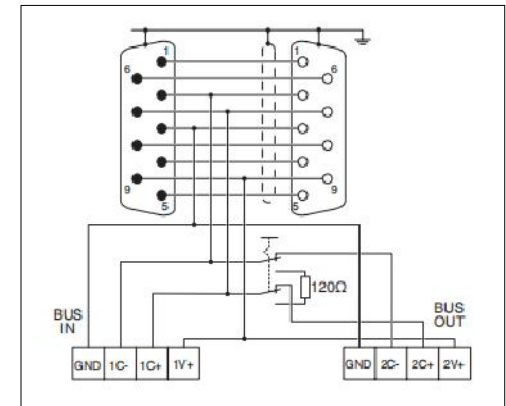


DETAILED PRODUCT DESCRIPTION:
 WATERPROOF CONNECTOR RATING IS IP67
 THEY CAN NOT BE USED PERMANENTLY UNDER WATER
 PER ISO-20653, IEC60529

ELECTRICAL PROPERTIES AT +20°C
 RATING VOLTAGE:5V AC/DC
 INSULATION RESISTANCE: >100MΩ
 RATING CURRENT:100mA
 CONTACT RESISTANCE OF CONNECTOR ≤30mΩ
 MECHANICAL CHARACTERISTICS: MATING CYCLE >200 CYCLES
 OPERATING TEMPERATURE: -25°C ~ +85°C

ALL MATERIALS ARE ROHS COMPLIANT

CIRCUIT DIAGRAM



ITEM	PART NO.	SPECIFICATION	Q'TY	UNIT
13	YDKG0004	TOGGLE SWITCH	1	PCS
12	YDSW0048	SELF-TAPING SCREWS	2	PCS
11	HS00615	SPACING 3.5MM 4P RUBBER SHELL	2	PCS
10	CN01300	DB9 THIN DOUBLE ROW PLUG PLATE FEMALE	1	PCS
9	CN01299	DB9 THIN DOUBLE ROW PLUG PLATE MALE	1	PCS
8	YDWJ0176	ELASTIC GASKET 30.8*10.35*T=0.6mm	1	PCS
7	YDSW0047	M3 BRASS NICKEL PLATED HEXAGON SCREW M3*42mm	2	PCS
6	YDCN0960	NYLON CLIP	1	PCS
5	YDCN0959	ORANGE SLIDING SWITCH	1	PCS
4	YDCN0958	BLACK POM SKELETON	1	PCS
3	YDPC0108	PCB BOARD	1	PCS
2	YDCN0957	ABS LOWER HOUSING,METAL-PLATED	1	PCS
1	YDCN0956	ABS UPPER HOUSING,METAL-PLATED	1	PCS

SIGNAL[®]
 Shenzhen Signal Electronics co.,Ltd

DRAWN BY	DATE
CHECKED BY	DATE
CHECKED BY	DATE
APPROVED BY	DATE

THE INFORMATION CONTAINED IN THIS DRAWING IS THE SOLE PROPERTY OF SIGNAL COMPANY.
 ANY REPRODUCTION IN PART OR WHOLE WITHOUT THE WRITTEN PERMISSION OF SIGNAL COMPANY IS PROHIBITED.

TITLE
D-SUB BUS CONNECTOR

SGN NO	940000-00-695	REV.
DWG NO	SGN01523-0000	S0
CUSTOMER		

TOLERANCES ARE:
 DECIMALES .x ±0.50 ANGLES x.' ±2.0'
 .xx ±0.20 .x' ±1.0'

THIRD ANGLE PROJECTION

SIZE: A4 UNITS: mm
 SCALE: 1:1 SHEET: 1 OF 1