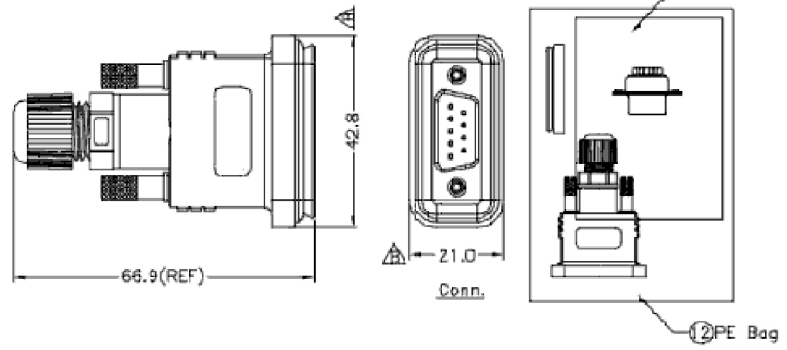
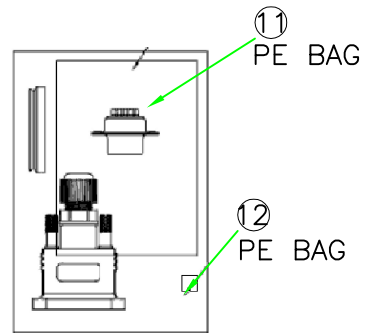
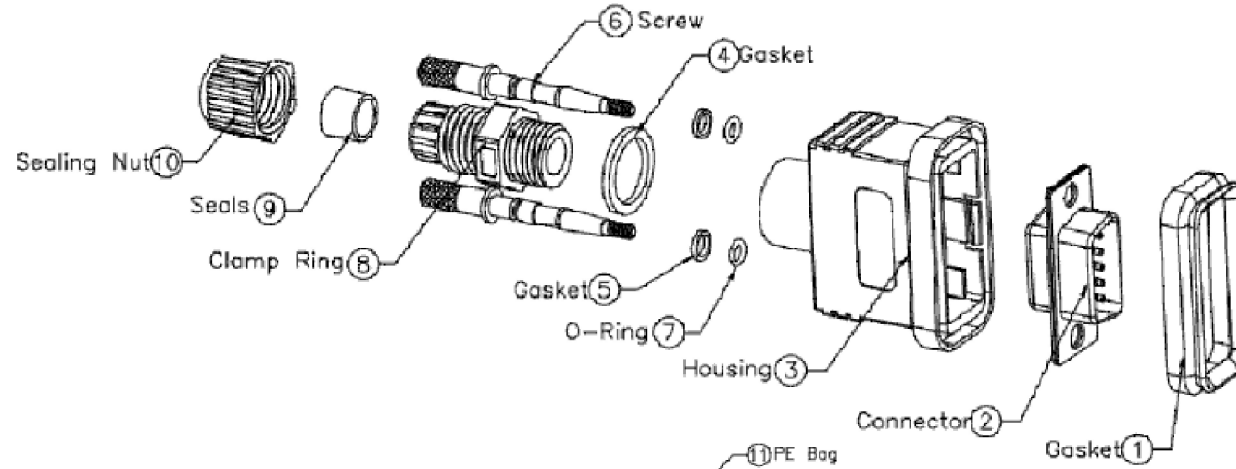


REV	DESCRIPTION	DATE	APPROVED
S0	CREATED DRAWING	2017/12/15	HENG
S1	UPDATE DRAWING	2017/12/18	HENG



Note:

- * Waterproof Rate: IP67
- * Housing:ABS,Black.
- * Connector:D-SUB 09Pin, Male Pin:Brass,Gold Flash.
- * Gasket:EPDM,Black.
- * Screw:Brass,Nickel Plated.
- * O-Ring:Silicone,Clear.
- * Seals For Cable OD:φ3.5mm~φ7.0mm
- * Clamp Ring:Nylon,Black.
- * Seals:EPDM,Black.
- * Sealing Nut:Nylon,Black.
- * One Set Unassembled in One PE Bag.

6	⑫	N/A	B CODING PE-BAG	1	PCS
	⑪	N/A	A CODING PE-BAG	1	PCS
	⑩	N/A	A CODING SEALING NUT:NYLON,BLACK	1	PCS
	⑨	N/A	SEALS FOR CABLE OD:φ3.5MM~φ7.0MM	1	PCS
	⑧	N/A	A CODING BODY:NYLON,BLACK	1	PCS
7	⑦	N/A	O-RING:SILICONE,CLEAR	2	PCS
	⑥	N/A	SCREW:BRASS,NICKEL PLATED	2	PCS
	⑤	N/A	GASKET FOR SCREW	2	PCS
	④	N/A	A CODING GASKET FOR BODY	1	PCS
	③	N/A	A CODING HOUSING:ABS,BLACK	1	PCS
8	②	N/A	D-SUB 09PIN MALE CONNECTOR	1	PCS
	①	N/A	A CODING GASKET FOR HOUSING	1	PCS

RoHS compliant
Unit: mm



Shenzhen Signal Electronics Co., LTD

DRAWN BY	DATE
CHECKED BY	DATE
APPROVED BY	DATE

TITLE A-DS09-HOOD-WP	
SGN NO 910109-01-011	REV. S1
DWG NO	CUSTOMER A-DS09-HOOD-WP
TOLERANCES ARE: DECIMALES ANGLES	THIRD ANGLE PROJECTION
.x ±0.5 x.' ±2.0'	SIZE: A4 UNITS: mm
.xx ±0.20 .x' ±1.0'	SCALE: SHEET: 1 OF 1

ITEM	PART NO.	SPECIFICATION	Q'TY	UNIT
------	----------	---------------	------	------