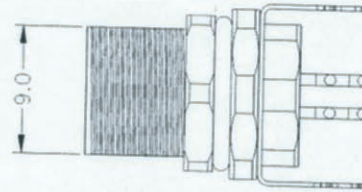
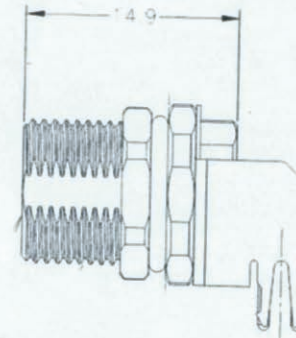
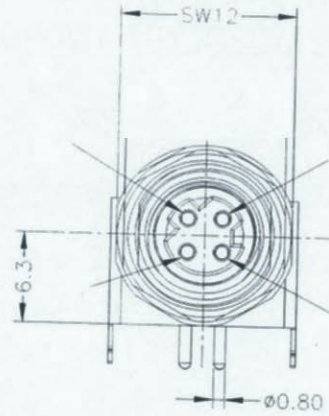


PROJECT NO:
SGNYD2302173


REV	DESCRIPTION	DATE	APPROVED
S0	CREATED DRAWING	2023/03/07	CYF



DETAILED PRODUCT DESCRIPTION:
WATERPROOF CONNECTOR RATING IS IP67
THEY CAN NOT BE USED PERMANENTLY UNDER WATER
PER ISO-20653, IEC60529

ELECTRICAL PROPERTIES AT +20°C
RATING VOLTAGE: 60V AC/DC
INSULATION RESISTANCE: >100MΩ
RATING CURRENT: 4A
CONTACT RESISTANCE OF CONNECTOR ≤5mΩ
MECHANICAL CHARACTERISTICS: MATING CYCLE >100 CYCLES
OPERATING TEMPERATURE: -25°C ~ +85°C

ALL MATERIALS ARE ROHS COMPLIANT

 SIGNAL ® Shenzhen Signal Electronics co.,Ltd		TITLE M8 D-CODING 4PIN FEMALE FRONT FASTENED CONNECTOR 90 DEG DIP	
DRAWN BY <i>张厚</i> CHECKED BY <i>张厚</i> CHECKED BY APPROVED BY THE INFORMATION CONTAINED IN THIS DRAWING IS THE SOLE PROPERTY OF SIGNAL COMPANY. ANY REPRODUCTION IN PART OR WHOLE WITHOUT THE WRITTEN PERMISSION OF SIGNAL COMPANY IS PROHIBITED.	DATE 2023.3.10 DATE 2023.3.10 DATE DATE	SGN NO 080404-04-*** 007 DWG NO SGNYD2302173-686 CUSTOMER	REV. SO TOLERANCES ARE: DECIMALES ANGLES .x ±0.50 .x' ±2.0° .xx ±0.20 .x" ±1.0° THIRD ANGLE PROJECTION SIZE: A4 UNITS: mm SCALE: 1:1 SHEET-1 OF 1