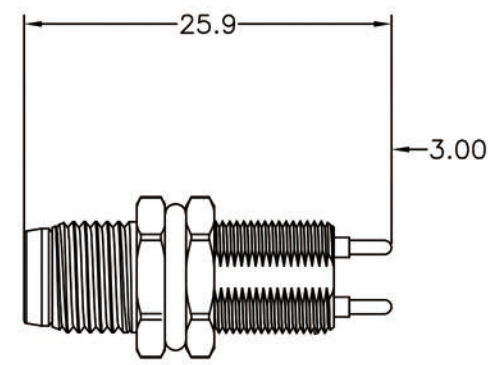
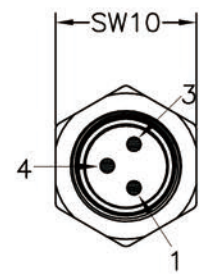




REV	DESCRIPTION	DATE	APPROVED
SO	CREATED DRAWING	2021/10/26	CYF



Detailed Product Description:
 Waterproof connector rating is IP68
 They can not be used permanently under water.

Connector Electrical character
 Rating voltage: 60V
 Insulation resistance: >100MΩ
 Rating current : 3A
 Contact resistance of connector ≤5mΩ
 Mechanical characteristics: mating / cycle >100 cycles
 Operating temperature: -25°C ~ +85°C

*ALL MATERIALS ARE RoHS COMPLIANT.

 SIGNAL [®] Shenzhen Signal Electronics Co., LTD		TITLE M8 3P/M REAR FASTENED CONNECTOR	
		SGN NO 080103-03-002	REV.
DRAWN BY	DATE	DWG NO	SO
CHECKED BY	DATE	CUSTOMER	
APPROVED BY	DATE	TOLERANCES ARE:	THIRD ANGLE PROJECTION 
<small>THE INFORMATION CONTAINED IN THIS DRAWING IS THE SOLE PROPERTY OF SIGNAL COMPANY. ANY REPRODUCTION IN PART OR WHOLE WITHOUT THE WRITTEN PERMISSION OF SIGNAL COMPANY IS PROHIBITED.</small>		DECIMALES .x ±0.5	ANGLES x.* ±2.0°
		.xx ±0.20	.x' ±1.0°
		SIZE: A4	UNITS: mm
		SCALE:	SHEET: 1 OF 1