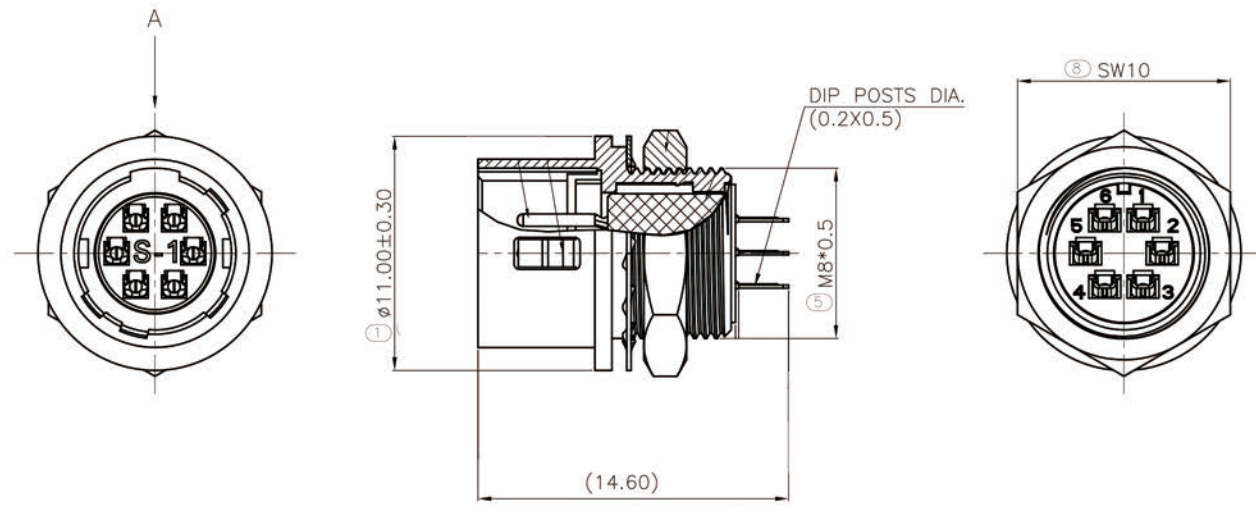


REV	DESCRIPTION	DATE	APPROVED
S0	CREATED DRAWING	2021/06/03	ZCH

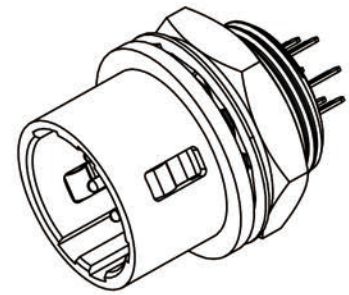




Detailed product description:

Connector electrical character
 Rating voltage: 100V AC,140V DC,
 Rating current : 2A
 Insulation resistance: >1000M ohms
 Contact resistance of connector ≤10m ohms
 Dielectric withstanding voltage: 300V AC R.M.S.Max.

Mechanical characteristics:
 Mating / cycle >500 cycles
 Operating temperature: -25°C ~ +85°C

*All materials are RoHS compliant.



 SIGNAL [®] Shenzhen Signal Electronics co.,Ltd		TITLE PUSH PULL 6PIN RECEPTACLE (DIP TYPE)	
		SGN NO 950106-03-001	REV. S2
DRAWN BY	DATE	DWG NO	TOLERANCES ARE: DECIMALES ANGLES .x ±0.5 x.' ±2.0' .xx ±0.20 .x' ±1.0'
CHECKED BY	DATE	CUSTOMER	
CHECKED BY	DATE		
APPROVED BY	DATE	THIRD ANGLE PROJECTION  SIZE: A4 UNITS: mm SCALE: 1:1 SHEET: 1 OF 1	