

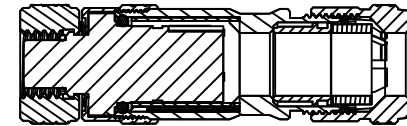
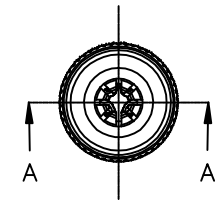
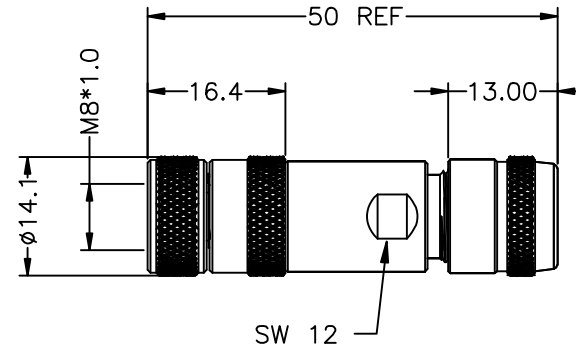
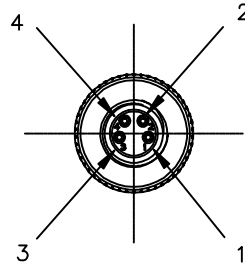
REV	DESCRIPTION	DATE	APPROVED
S0	CREATED DRAWING	2021/04/19	ZK

Detailed Product Description:
 Waterproof connector rating is IP67
 They can not be used permanently under water
 Per ISO-20653,IEC60529

Cable OD: 5~7.2mm
 Core wire: 1.0mm² max 26~18AWG

Other Specification
 Contact PIN: Phosphor bronze with Gold plating.
 Coupling nut/screw: Brass with nickel plating
 Insulation plastic: PA66+GF
 Operating temperature: -25°C ~ +85°C

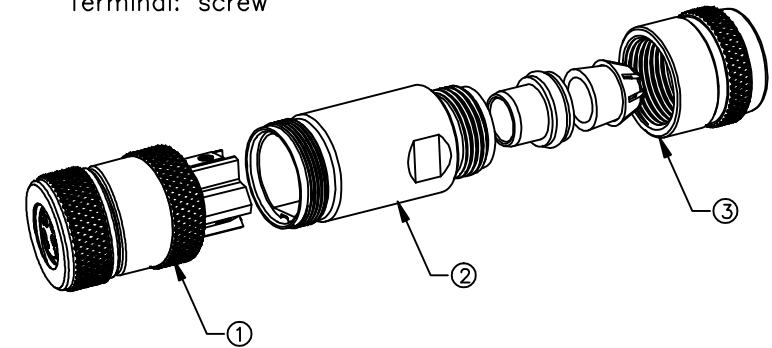
*ALL MATERIALS ARE RoHS COMPLIANT.



Terminal: screw

Electrical character

Part Number	Contacts	Rated voltage		Rated current	Contact Resistance
		A/C	D/C		
080103-02-00X		60V	60V	3A	10mΩ
080104-02-010		30V	30V	3A	10mΩ



③	N/A	M8 TAIL WATERPROOF PARTS	1	SET
②	N/A	M8 ASSEMBLY SHELL	1	SET
①	N/A	M8 A CODING FEMALE CONNECTOR	1	SET
ITEM	PART NO.	SPECIFICATION	Q'TY	UNIT

 SIGNAL [®] Shenzhen Signal Electronics Co., LTD		TITLE M8 A CODE FEMALE METAL ASSEMBLY CONNECTOR	
		SGN NO 080104-02-010	REV. S0
DRAWN BY	DATE	DWG NO	
CHECKED BY	DATE	CUSTOMER	
APPROVED BY	DATE		
<small>THE INFORMATION CONTAINED IN THIS DRAWING IS THE SOLE PROPERTY OF SIGNAL COMPANY. ANY REPRODUCTION IN PART OR WHOLE WITHOUT THE WRITTEN PERMISSION OF SIGNAL COMPANY IS PROHIBITED.</small>		TOLERANCES ARE: DECIMALES .x ±0.5 .xx ±0.20	ANGLES x.' ±2.0' .x' ±1.0'
		THIRD ANGLE PROJECTION	
		SIZE: A4	UNITS: mm
		SCALE:	SHEET: 1 OF 1