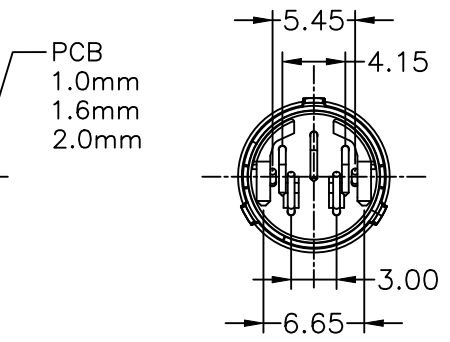
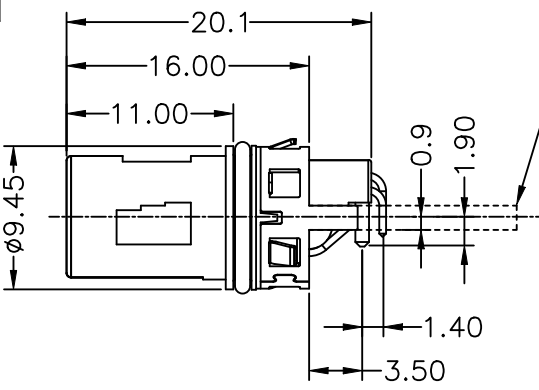
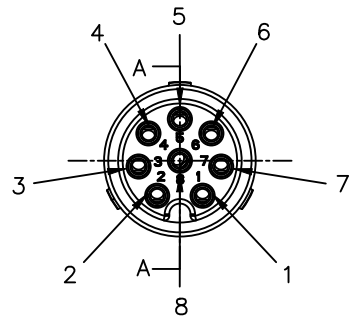
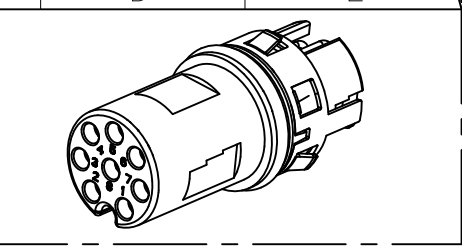
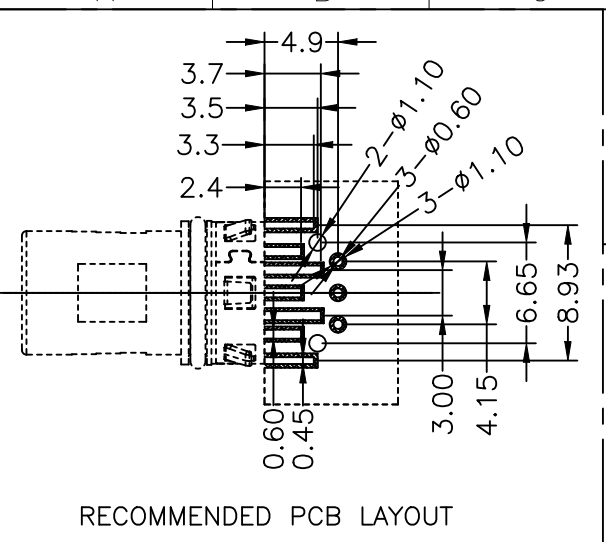


REV	DESCRIPTION	DATE	APPROVED
S0	CREATED DRAWING	2024/09/06	ZK

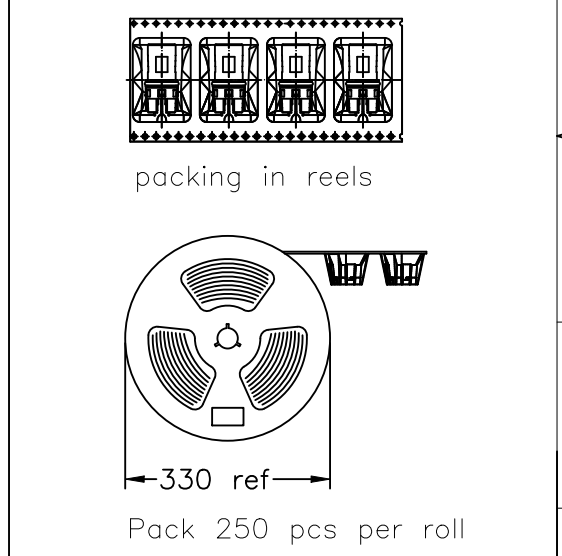
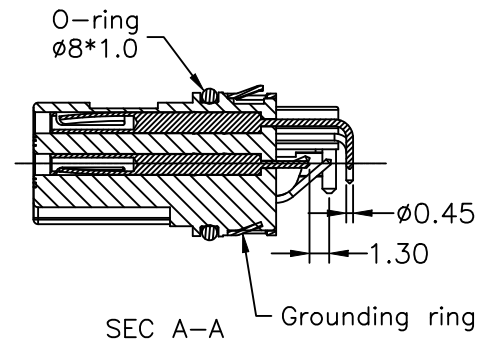


Detailed Product Description:
 Waterproof connector rating is IP67
 They can not be used permanently under water
 Per ISO-20653,IEC60529


Electrical character
 Rating voltage: 30V AC/DC
 Insulation resistance: >100MΩ
 Rating current: 2A
 Contact resistance ≤10mΩ

Other Specification
 Contact PIN: Copper alloy with Gold plating
 Insulation plastic: LCP(UL94V-0)
 Operating temperature: -40°C ~ +105°C

*ALL MATERIALS ARE RoHS COMPLIANT.

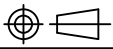


⑥	N/A	O-RING BLACK SILICONE ø8.0*1.0mm	1	PCS
⑤	N/A	PHOSPHOR BRONZE GROUNDING PIECE	1	PCS
④	N/A	M12 COPPER ALLOY PLATED GOLD FEMALE TERMINAL(C)	3	PCS
③	N/A	M12 COPPER ALLOY PLATED GOLD FEMALE TERMINAL(B)	2	PCS
②	N/A	M12 COPPER ALLOY PLATED GOLD FEMALE TERMINAL(A)	3	PCS
①	N/A	M12 A CODING 8PIN FEMALE HOUSING	1	PCS
ITEM	PART NO.	SPECIFICATION	Q'TY	UNIT



SIGNAL[®]

ShenZhen Signal Electronics co.,Ltd

DRAWN BY		DATE		TITLE M12 A 8P/F ANGLE DIP CONNECTOR(WITH SHIELD) SGN NO 120108-04-181S REV. S0 DWG NO CUSTOMER TOLERANCES ARE: DECIMALES ANGLES .x ±0.5 x.' ±2.0' .xx ±0.2 .x' ±1.0'	THIRD ANGLE PROJECTION  SIZE: A4 UNITS: mm SCALE: SHEET: 1 OF 1
CHECKED BY		DATE			
CHECKED BY		DATE			
APPROVED BY		DATE			