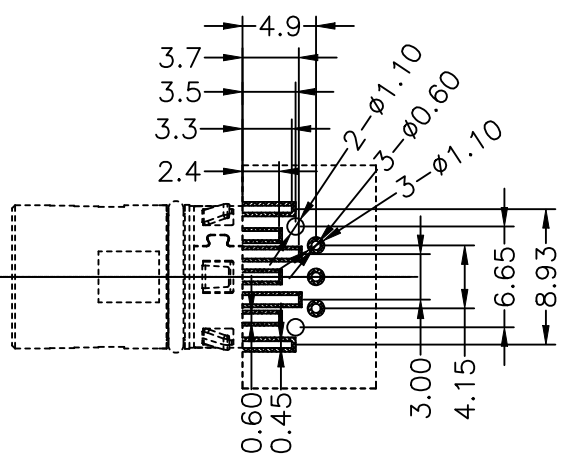
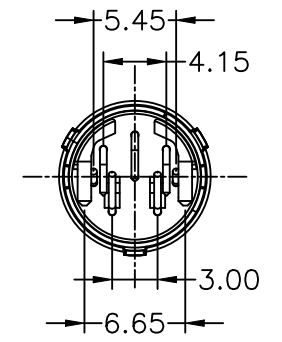
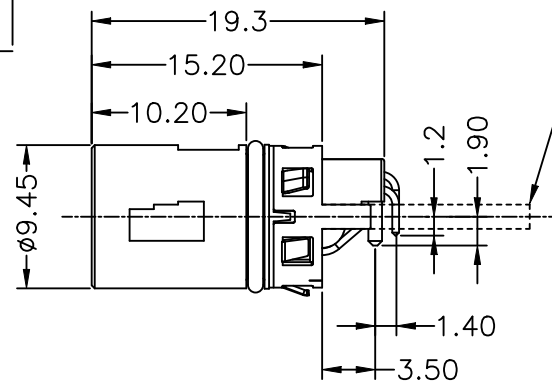
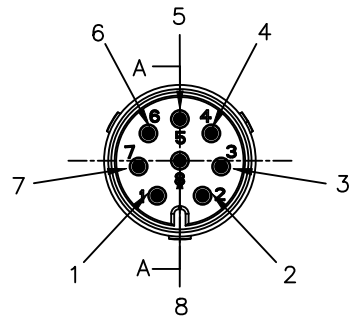
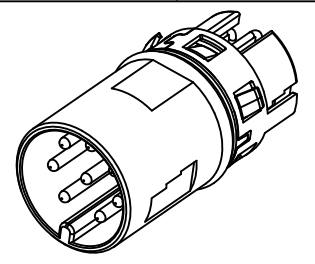


REV	DESCRIPTION	DATE	APPROVED
S0	CREATED DRAWING	2024/09/06	ZK



RECOMMENDED PCB LAYOUT

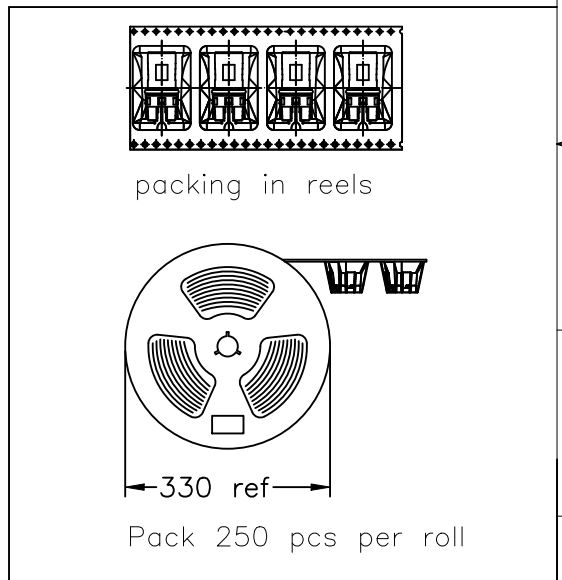
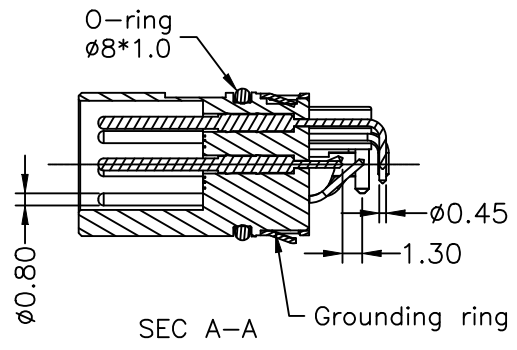


Detailed Product Description:
 Waterproof connector rating is IP67
 They can not be used permanently under water
 Per ISO-20653, IEC60529

Electrical character
 Rating voltage: 30V AC/DC
 Insulation resistance: >100MΩ
 Rating current: 2A
 Contact resistance ≤10mΩ

Other Specification
 Contact PIN: Copper alloy with Gold plating
 Insulation plastic: LCP(UL94V-0)
 Operating temperature: -40°C ~ +105°C

*ALL MATERIALS ARE RoHS COMPLIANT.



⑥	N/A	O-RING BLACK SILICONE φ8.0*1.0mm	1	PCS
⑤	N/A	PHOSPHOR BRONZE GROUNDING PIECE	1	PCS
④	N/A	M12 BRASS PLATED GOLD MALE TERMINAL(C)	3	PCS
③	N/A	M12 BRASS PLATED GOLD MALE TERMINAL(B)	2	PCS
②	N/A	M12 BRASS PLATED GOLD MALE TERMINAL(A)	3	PCS
①	N/A	M12 A CODING 8PIN MALE HOUSING	1	PCS
ITEM	PART NO.	SPECIFICATION	Q'TY	UNIT

SIGNAL[®]
 ShenZhen Signal Electronics co.,Ltd

DRAWN BY	DATE
CHECKED BY	DATE
CHECKED BY	DATE
APPROVED BY	DATE

THE INFORMATION CONTAINED IN THIS DRAWING IS THE SOLE PROPERTY OF SIGNAL COMPANY. ANY REPRODUCTION IN PART OR WHOLE WITHOUT THE WRITTEN PERMISSION OF SIGNAL COMPANY IS PROHIBITED.

TITLE M12 A 8P/M ANGLE DIP CONNECTOR(WITH SHIELD)		REV.
SGN NO 120108-03-184S		S0
DWG NO		
CUSTOMER		
TOLERANCES ARE:		THIRD ANGLE PROJECTION
DECIMALES	ANGLES	
.x ±0.5	x' ±2.0'	
.xx ±0.2	.x' ±1.0'	SIZE: A4
SCALE:		UNITS: mm
		SHEET: 1 OF 1