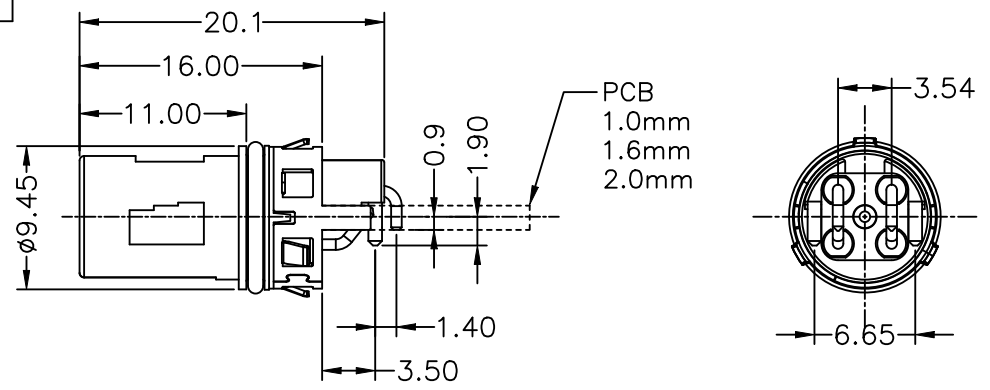
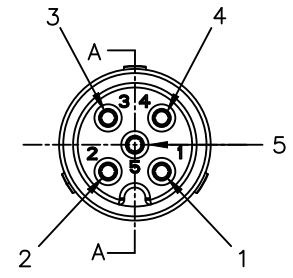
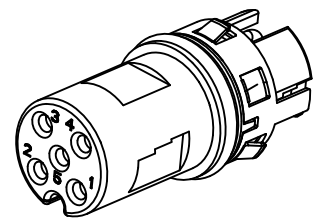
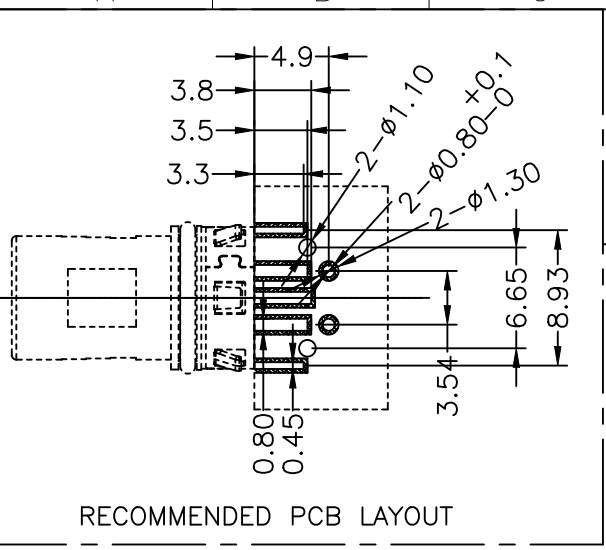


REV	DESCRIPTION	DATE	APPROVED
S0	CREATED DRAWING	2024/09/06	ZK

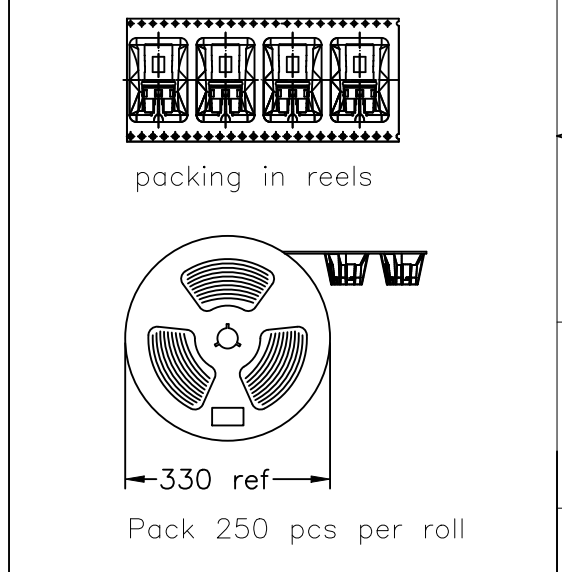
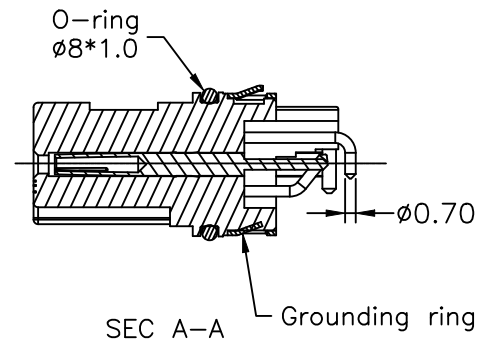


Detailed Product Description:
 Waterproof connector rating is IP67
 They can not be used permanently under water
 Per ISO-20653,IEC60529

Electrical character
 Rating voltage: 60V AC/DC
 Insulation resistance: >100MΩ
 Rating current: 4A
 Contact resistance ≤10mΩ

Other Specification
 Contact PIN: Copper alloy with Gold plating
 Insulation plastic: LCP(UL94V-0)
 Operating temperature: -40°C ~ +105°C

*ALL MATERIALS ARE RoHS COMPLIANT.



⑥	OR00016	O-RING BLACK SILICONE ø8.0*1.0mm	1	PCS
⑤	YDWJ0230	PHOSPHOR BRONZE GROUNDING PIECE	1	PCS
④	YDTE1635	M12 COPPER ALLOY PLATED GOLD FEMALE TERMINAL(C)	1	PCS
③	YDTE1376	M12 COPPER ALLOY PLATED GOLD FEMALE TERMINAL(B)	2	PCS
②	YDTE1375	M12 COPPER ALLOY PLATED GOLD FEMALE TERMINAL(A)	2	PCS
①	YDCN1533	M12 A CODING 5PIN FEMALE HOUSING	1	PCS
ITEM	PART NO.	SPECIFICATION	Q'TY	UNIT

SIGNAL[®]

ShenZhen Signal Electronics co.,Ltd

DRAWN BY		DATE		TITLE M12 A 5P/F ANGLE DIP CONNECTOR(WITH SHIELD) SGN NO 120105-04-179S DWG NO CUSTOMER TOLERANCES ARE: DECIMALES ANGLES .x ±0.5 x.' ±2.0' .xx ±0.2 .x' ±1.0' THIRD ANGLE PROJECTION SIZE: A4 UNITS: mm SCALE: SHEET: 1 OF 1
CHECKED BY		DATE		
CHECKED BY		DATE		
APPROVED BY		DATE		