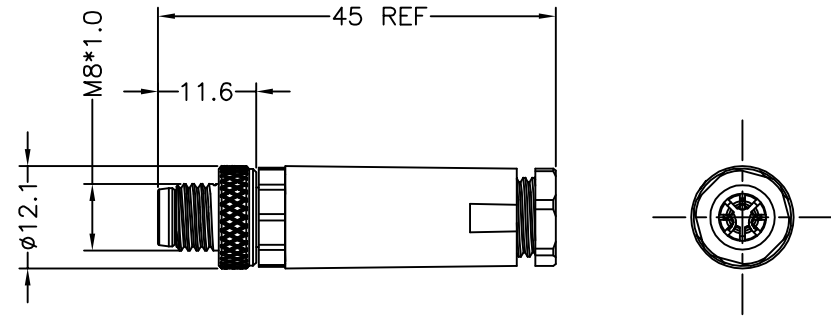
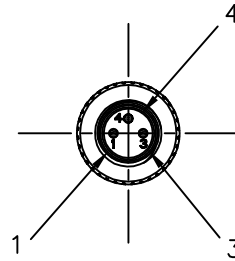


REV	DESCRIPTION	DATE	APPROVED
S0	CREATED DRAWING	2020/09/24	ZK

Detailed Product Description:
 Waterproof connector rating is IP67
 They can not be used permanently under water
 Per ISO-20653,IEC60529

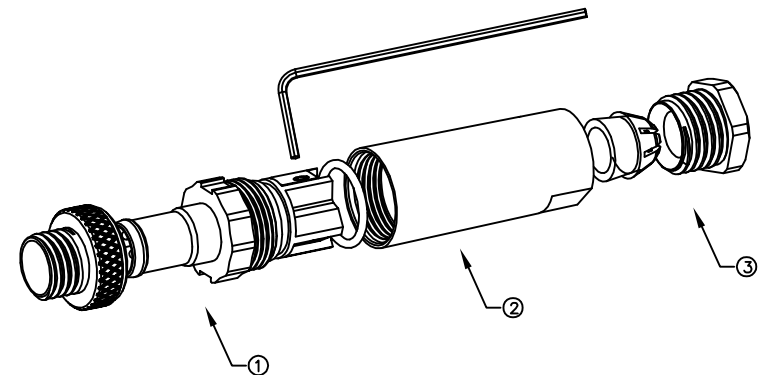
Mechanical characteristics: mating / cycle >100cycles
 Operating temperature: -25°C ~ +85°C

ALL MATERIALS ARE RoHS COMPLIANT



Electrical character

Part Number	Contacts	Rated voltage		Rated current	Contact Resistance	Cable OD (mm)
		A/C	D/C			
080103-01-001S		50V	60V	3A	10mΩ	3~4.5
080104-01-001S		50V	60V	3A	10mΩ	3~4.5



③	N/A	M8 TAIL WATERPROOF PARTS	1	SET
②	N/A	M8 ASSEMBLY SHELL	1	SET
①	N/A	M8 A CODING MALE CONNECTOR	1	SET
ITEM	PART NO.	SPECIFICATION	Q'TY	UNIT

 SIGNAL ® Shenzhen Signal Electronics Co., LTD		TITLE M8 A CODE MALE PLASTIC ASSEMBLY CONNECTOR	
		SGN NO 080103~04-01-001S	REV. S0
DRAWN BY		DATE	
CHECKED BY		DATE	
APPROVED BY		DATE	
<small>THE INFORMATION CONTAINED IN THIS DRAWING IS THE SOLE PROPERTY OF SIGNAL COMPANY. ANY REPRODUCTION IN PART OR WHOLE WITHOUT THE WRITTEN PERMISSION OF SIGNAL COMPANY IS PROHIBITED.</small>		TOLERANCES ARE: DECIMALES .x ±0.5 .xx ±0.20 ANGLES x.* ±2.0° .x' ±1.0°	THIRD ANGLE PROJECTION SIZE: A4 UNITS: mm SCALE: SHEET: 1 OF 1