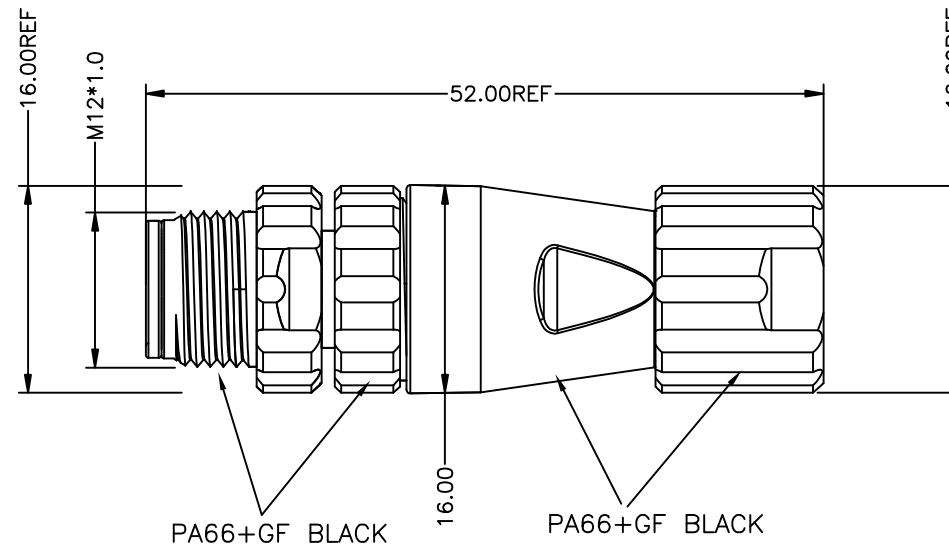
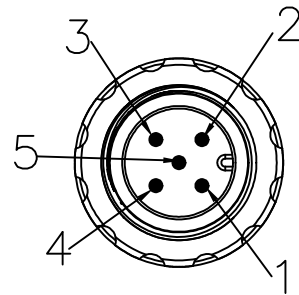



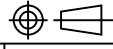
REV	DESCRIPTION	DATE	APPROVED
A0	CREATED DRAWING	2017/11/27	ymx



Detailed Product Description:  
 Waterproof connector rating is IP68  
 They can not be used permanently under water.

Connector Electrical character  
 Rating voltage: 60V ,  
 Insulation resistance: >100MΩ  
 Rating current : 4A  
 Contact resistance of connector ≤5mΩ  
 Mechanical characteristics: mating / cycle >100 cycle  
 Operating temperature: -25°C ~ +85°

\*ALL MATERIALS ARE RoHS COMPLIANT.

 <b>SIGNAL</b> <sup>®</sup> Shenzhen Signal Electronics Co., LTD		TITLE M12 5P/M A type Connector	
		SGN NO 120105-01-027	REV. S0
DRAWN BY	DATE	DWG NO	
CHECKED BY	DATE	CUSTOMER 12SP-MA3-SL	
APPROVED BY	DATE	TOLERANCES ARE:	
<small>THE INFORMATION CONTAINED IN THIS DRAWING IS THE SOLE PROPERTY OF SIGNAL COMPANY. ANY REPRODUCTION IN PART OR WHOLE WITHOUT THE WRITTEN PERMISSION OF SIGNAL COMPANY IS PROHIBITED.</small>		DECIMALES .x ±0.15 .xx ±0.10	ANGLES x.' ±1.0° .x' ±0.5°
		THIRD ANGLE PROJECTION  SIZE: A4 UNITS: mm SCALE: SHEET: 1 OF 1	