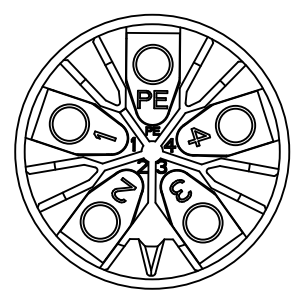
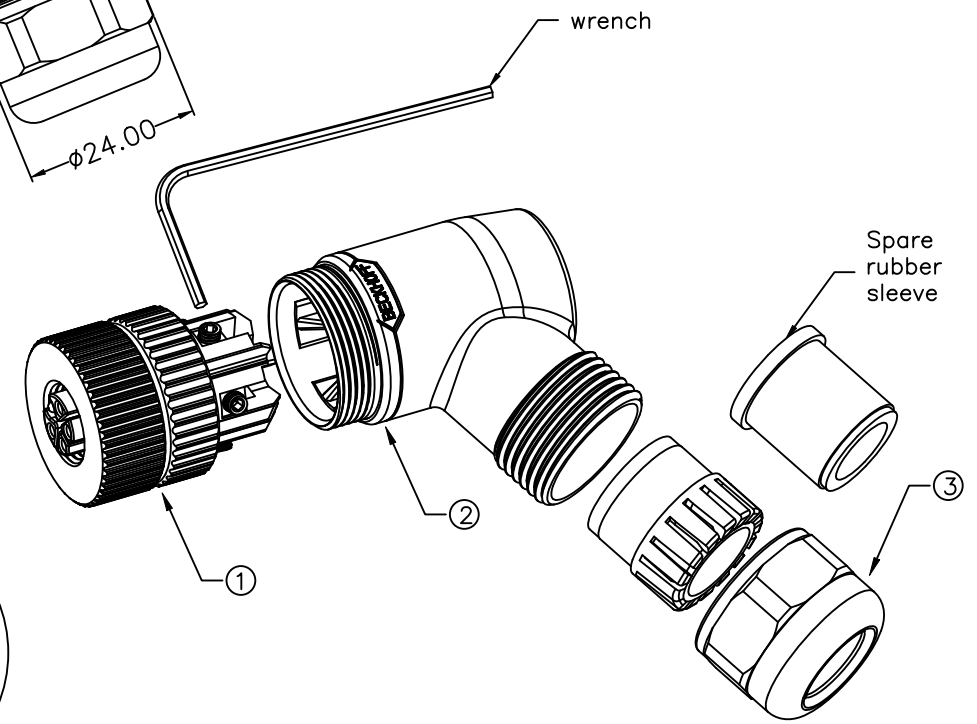
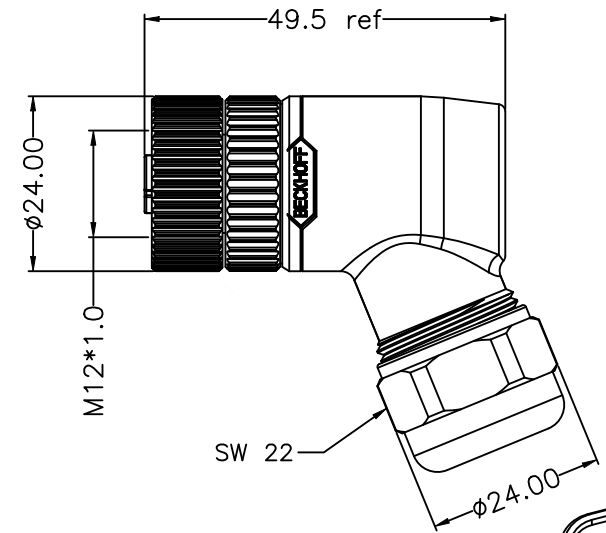
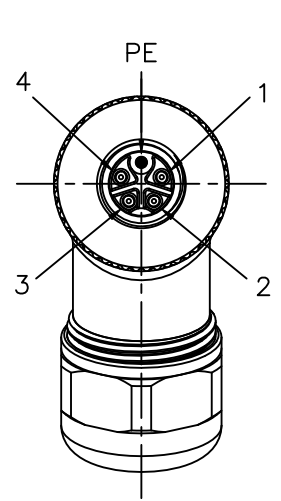


REV	DESCRIPTION	DATE	APPROVED
S0	CREATED DRAWING	2022/08/22	ZK



端子增加镭雕

**Detailed Product Description:**  
 Waterproof connector rating is IP67  
 They can not be used permanently under water  
 Per ISO-20653, IEC60529

**Electrical character**  
 Rating voltage: 630V AC/DC  
 Insulation resistance: >100MΩ  
 Rating current: 12A  
 Contact resistance: ≤10mΩ

**Other Specification**  
 Contact Pin: Brass with gold-plated  
 Insulation plastic: PA66  
 Shell: PA66  
 Mechanical characteristics: mating / cycle >100cycle  
 Operating temperature: -25°C ~ +85°C

Core wire Max: 2.5<sup>2</sup>mm  
 Core wire peeling: 4~5mm  
 Cable peeling: 30mm(ref)  
 Cable OD Max: 12mm

\*ALL MATERIALS ARE RoHS COMPLIANT.

 <b>SIGNAL</b> <sup>®</sup> Shenzhen Signal Electronics Co., LTD		TITLE M12 K CODE FEMALE PLASTIC ASSEMBLY CONNECTOR	
		SGN NO 121305-02-002	REV. S0
DRAWN BY	DATE	DWG NO SGNYD2208016	TOLERANCES ARE: DECIMALES ANGLES .x ±0.5 x.' ±2.0' .xx ±0.20 .x' ±1.0'
CHECKED BY	DATE	CUSTOMER	
CHECKED BY	DATE		
APPROVED BY	DATE	THIRD ANGLE PROJECTION	
THE INFORMATION CONTAINED IN THIS DRAWING IS THE SOLE PROPERTY OF SIGNAL COMPANY. ANY REPRODUCTION IN PART OR WHOLE WITHOUT THE WRITTEN PERMISSION OF SIGNAL COMPANY IS PROHIBITED.		SIZE: A4	UNITS: mm
		SCALE:	SHEET: 1 OF 1

ITEM	PART NO.	SPECIFICATION	Q'TY	UNIT
③	N/A	M12 TAIL WATERPROOF PARTS	1	SET
②	N/A	M12 ASSEMBLY SHELL	1	SET
①	N/A	M12 K FEMALE CONNECTOR	1	SET