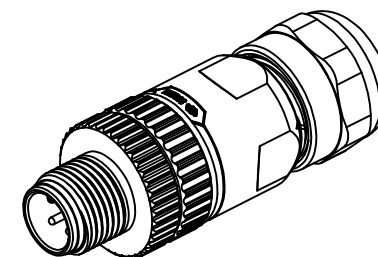
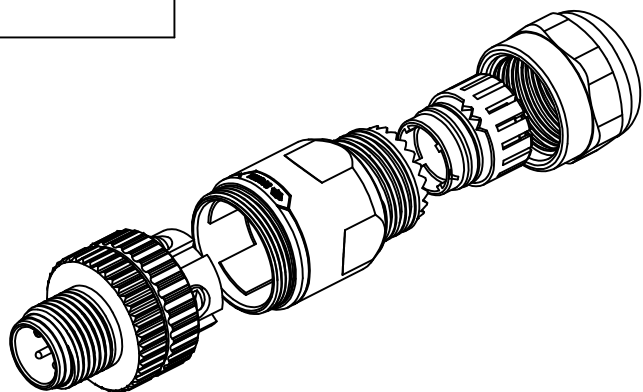


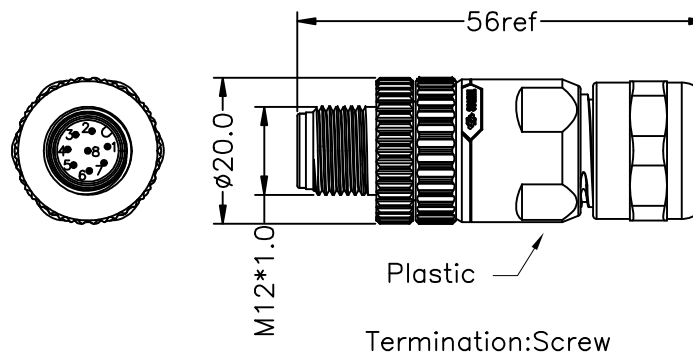
PROJECT NO:

REV	DESCRIPTION	DATE	APPROVED
S0	CREATED DRAWING	2017/03/01	SXY



Electrical character

Rated voltage	30V
Rated current	2A
Mechanical characteristics (mating cycle)	>100
Degree of protection (ISO-20653,IEC60529)	IP67/IP68
Operating temperature (depending on cable quality)	-25°C ~ +85°C
Destructive withstand force between connector and overmold exceeds	**kgf
Tightening torque (range)	0.4~1.8Nm
Pollution degree	3
ALL MATERIALS ARE RoHS COMPLIANT	



Electrical character

Part Number	Contacts	Rated voltage		Rated current	Contact Resistance	Cable OD (mm)
		A/C	D/C			
AS12AM08009		30V	30V	2A	10mΩ	3~8

SIGNAL [®] Shenzhen Signal Electronics co.,Ltd		TITLE M12 ASSEMBLY MALE CONNECTOR(PLASTIC)	
		SGN NO 120108-01-022	REV.
DRAWN BY	DATE	DWG NO	
CHECKED BY	DATE	CUSTOMER	
CHECKED BY	DATE	S0	
APPROVED BY	DATE	TOLERANCES ARE:	
THE INFORMATION CONTAINED IN THIS DRAWING IS THE SOLE PROPERTY OF SIGNAL COMPANY. ANY REPRODUCTION IN PART OR WHOLE WITHOUT THE WRITTEN PERMISSION OF SIGNAL COMPANY IS PROHIBITED.		DECIMALES .x ±0.5	ANGLES x.' ±2.0°
		.xx ±0.20	.x' ±1.0°
		THIRD ANGLE PROJECTION	SIZE: A4
		SCALE:	SHEET: 1 OF 1