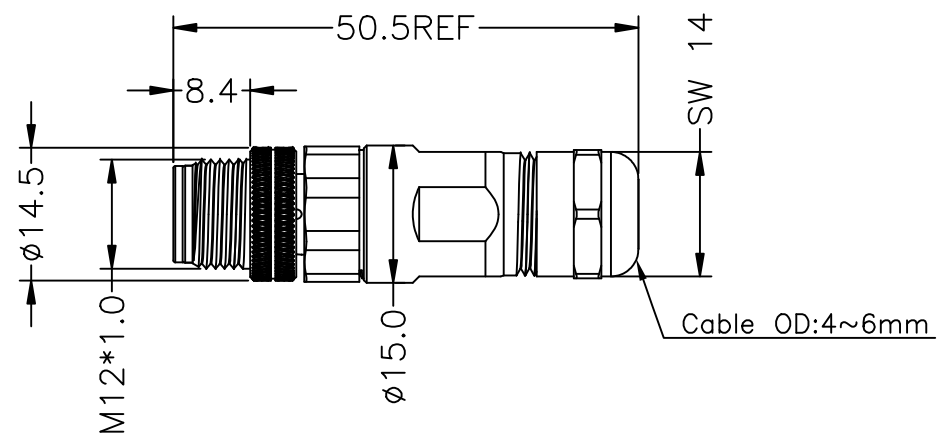
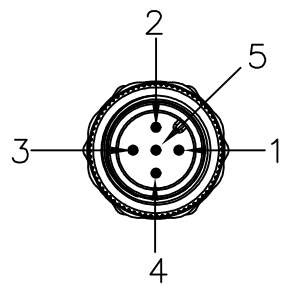
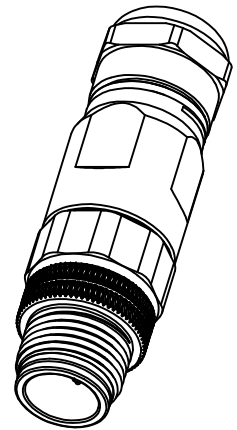


PROJECT NO:  
SGNYD200927-4

REV	DESCRIPTION	DATE	APPROVED
S0	CREATED DRAWING	2020/09/21	ZHG
S1	UPDATE DRAWING	2022/07/25	ZK




termination: solder



Electrical character

Rated voltage	60V
Rated current	4A
Mechanical characteristics (mating cycle)	>100
Degree of protection (ISO-20653, IEC60529)	IP67
Operating temperature (depending on cable quality)	-25°C ~ +85°C
Destructive withstand force between connector and overmold exceeds	**kgf
Tightening torque (range)	0.4~1.8Nm
Pollution degree	3
*ALL MATERIALS ARE RoHS COMPLIANT*	

ITEM	PART NO.	SPECIFICATION	Q'TY	UNIT
③	N/A	PG7 TAIL WATERPROOF PARTS	1	SET
②	N/A	M12 BRASS PLATED NI MALE SHELL	1	PCS
①	N/A	M12 A 5P BLACK MALE CONNECTOR	1	SET



**SIGNAL**®  
Shenzhen Signal Electronics Co., LTD

TITLE M12 5P MALE ASSEMBLY CONNECTOR (PG7)

SGN NO 120105-01-005

DWG NO SGNYD200927-4

CUSTOMER

DRAWN BY	DATE	TOLERANCES ARE: DECIMALES ANGLES	THIRD ANGLE PROJECTION
CHECKED BY	DATE		
APPROVED BY	DATE		
THE INFORMATION CONTAINED IN THIS DRAWING IS THE SOLE PROPERTY OF SIGNAL COMPANY. ANY REPRODUCTION IN PART OR WHOLE WITHOUT THE WRITTEN PERMISSION OF SIGNAL COMPANY IS PROHIBITED.		.x ±0.5 .xx ±0.20	x.* ±2.0° .x.* ±1.0°
		SIZE: A4	UNITS: mm
		SCALE:	SHEET: 1 OF 2