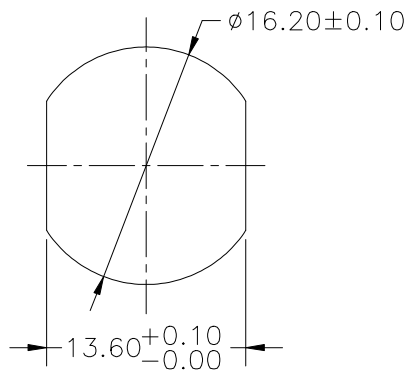
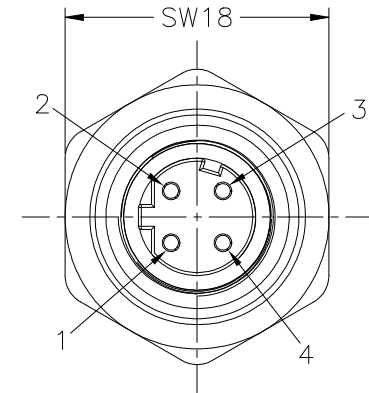
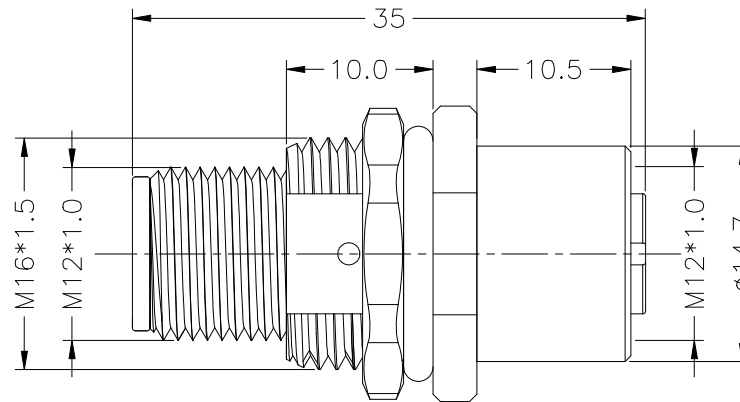
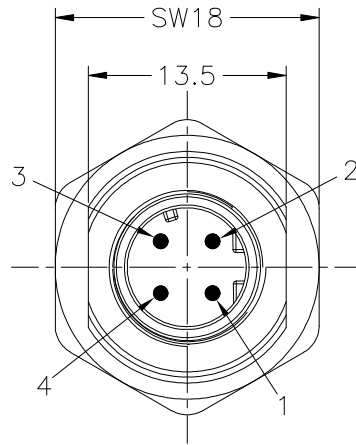


| REV | DESCRIPTION | DATE | APPROVED |
|-----|-----------------|------------|----------|
| S0 | CREATED DRAWING | 2024/08/27 | CZP |



RECOMMENDED
PANEL CUT-OUT



Electrical character

| | |
|--|---------------|
| Rated voltage | 250V |
| Rated current | 4A |
| Mechanical characteristics (mating cycle) | >100 |
| Degree of protection (ISO-20653, IEC60529) | IP67 |
| Operating temperature (depending on cable quality) | -25°C ~ +80°C |
| Destructive withstand force between connector and overmold exceeds | **kgf |
| Tightening torque (range) | 0.4~1.8Nm |
| Pollution degree | 3 |
| *ALL MATERIALS ARE RoHS COMPLIANT* | |

| ITEM | PART NO. | SPECIFICATION | Q'TY | UNIT |
|------|----------|--|------|------|
| ⑦ | NU00002 | M16 BRASS PLATED NI L*W=2.8*18mm | 1 | PCS |
| ⑥ | GL00002 | Black glue A/B (ethoxyline resin) | 2 | G |
| ⑤ | OR00012 | O-Ring GREEN FKM ϕ 7.00*1.5mm | 1 | PCS |
| ④ | OR00008 | O-Ring GREEN FKM ϕ 13.0* ϕ 2.0mm | 1 | PCS |
| ③ | WK00189 | M12 BRASS WITH NI PLATED, MALE AND FEMALE CONNECT SHELL L=32.8mm | 1 | PCS |
| ② | N/A | M12 D Coding 4pin Female connector short style | 1 | SET |
| ① | N/A | M12 D Coding 4pin male connector short style | 1 | SET |

| DRAWN BY | | DATE | TITLE | |
|--|--|-----------|---------------------------------------|---------------|
| CHECKED BY | | DATE | M12 4P/M TO 4P/F ADAPTER CONNECTOR | |
| CHECKED BY | | DATE | SGN NO | 120404-10-001 |
| APPROVED BY | | DATE | DWG NO | |
| THE INFORMATION CONTAINED IN THIS DRAWING IS THE SOLE PROPERTY OF SIGNAL COMPANY. ANY REPRODUCTION IN PART OR WHOLE WITHOUT THE WRITTEN PERMISSION OF SIGNAL COMPANY IS PROHIBITED. | | | CUSTOMER | S0 |
| TOLERANCES ARE: | | ANGLES | THIRD ANGLE PROJECTION | |
| DECIMALES | | | SIZE: | A4 |
| .x ±0.15 | | x.' ±1.0' | UNITS: | mm |
| .xx ±0.10 | | .x' ±0.5' | SCALE: | SHEET: 1 OF 1 |