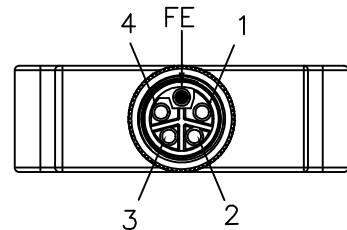


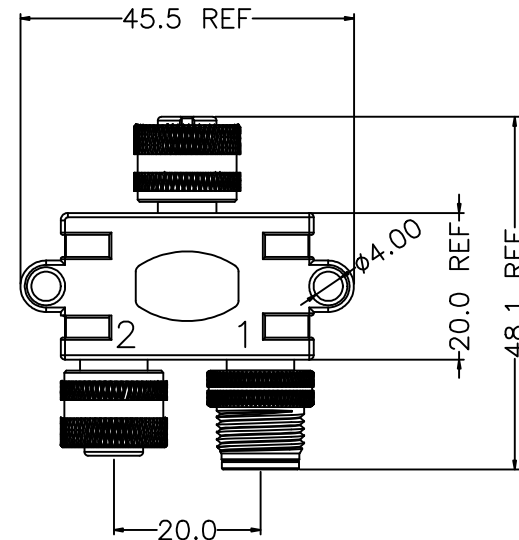
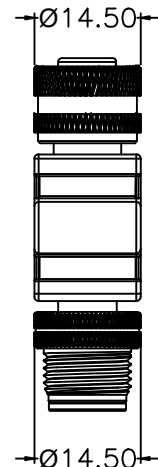
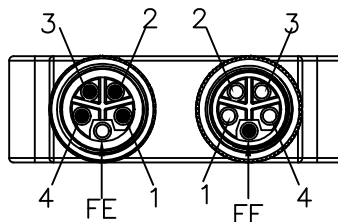
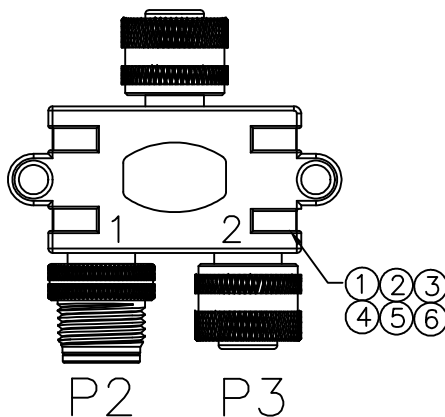
PROJECT NO:

SGNYD2009004

REV	DESCRIPTION	DATE	APPROVED
S0	CREATED DRAWING	2020/09/04	WJY



P1




Electrical character

Rated voltage	63V
Rated current	16A
Mechanical characteristics (mating cycle)	>100
Degree of protection (ISO-20653, IEC60529)	IP67
Operating temperature (depending on cable quality)	-25°C ~ +80°C
Destructive withstand force between connector and overmold exceeds	**kgf
Tightening torque (range)	0.4~1.8Nm
Pollution degree	3
ALL MATERIALS ARE RoHS COMPLIANT	

WIRE LIST

P1	COLOR	P2	P3
1	BROWN	1	1
2	WHITE	2	2
3	BLUE	3	3
4	RED	4	4
FE	BLACK	FE	PE

ITEM	PART NO.	SPECIFICATION	Q'TY	UNIT
⑥	GL00031	STRUCTURAL GLUE H-D908 WHITE	3	G
⑤	PL00008	BLACK PVC 30P	15	G
④	PL00106	AMBER TRANSPARENT LOW PRESSURE INJECTION MOLDING COMPOUND	5	G
③	N/A	M12 L CODING 4+FE PIN MALE CONNECTOR	1	SET
②	N/A	M12 L CODING 4+FE PIN FEMALE CONNECTOR	2	SET
①	N/A	UL1007 16AWG HOOK UP WIRE	1	SET



SIGNAL[®]

Shenzhen Signal Electronics co.,Ltd

TITLE: M12 L CODING 5P/F TO 5P/M+5P/F CONNECTOR

SGN NO: 121005-10-001

DWG NO: SGNYD2009004

CUSTOMER: S0

DRAWN BY		DATE	SGN NO		REV.	
CHECKED BY		DATE	DWG NO		S0	
CHECKED BY		DATE	CUSTOMER			
APPROVED BY		DATE	TOLERANCES ARE:			
<small>THE INFORMATION CONTAINED IN THIS DRAWING IS THE SOLE PROPERTY OF SIGNAL COMPANY. ANY REPRODUCTION IN PART OR WHOLE WITHOUT THE WRITTEN PERMISSION OF SIGNAL COMPANY IS PROHIBITED.</small>			DECIMALES	ANGLES	THIRD ANGLE PROJECTION	
			.x ±0.5	x.' ±2.0'	SIZE: A4	UNITS: mm
			.xx ±0.20	.x' ±1.0'	SCALE:	SHEET: 1 OF 1