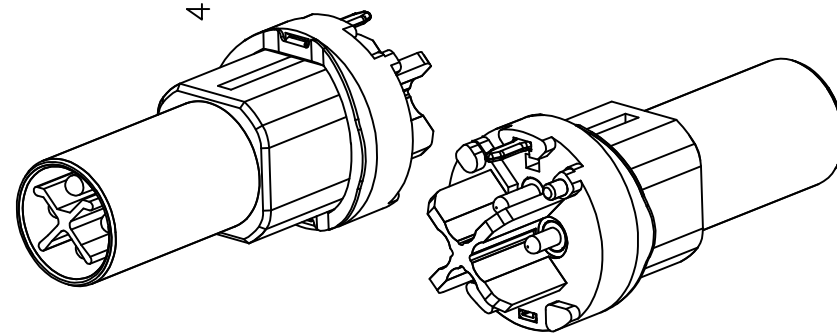
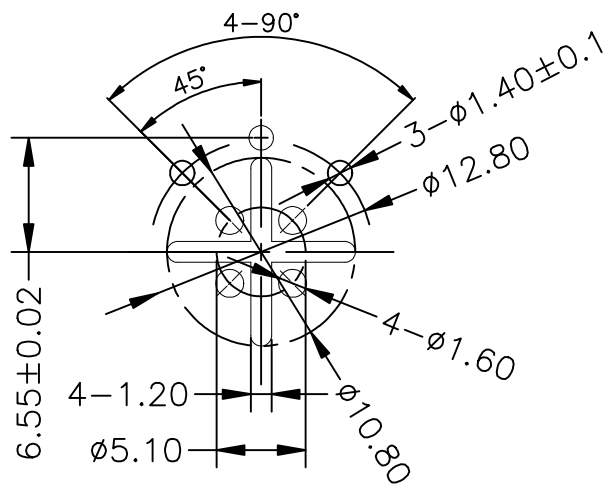
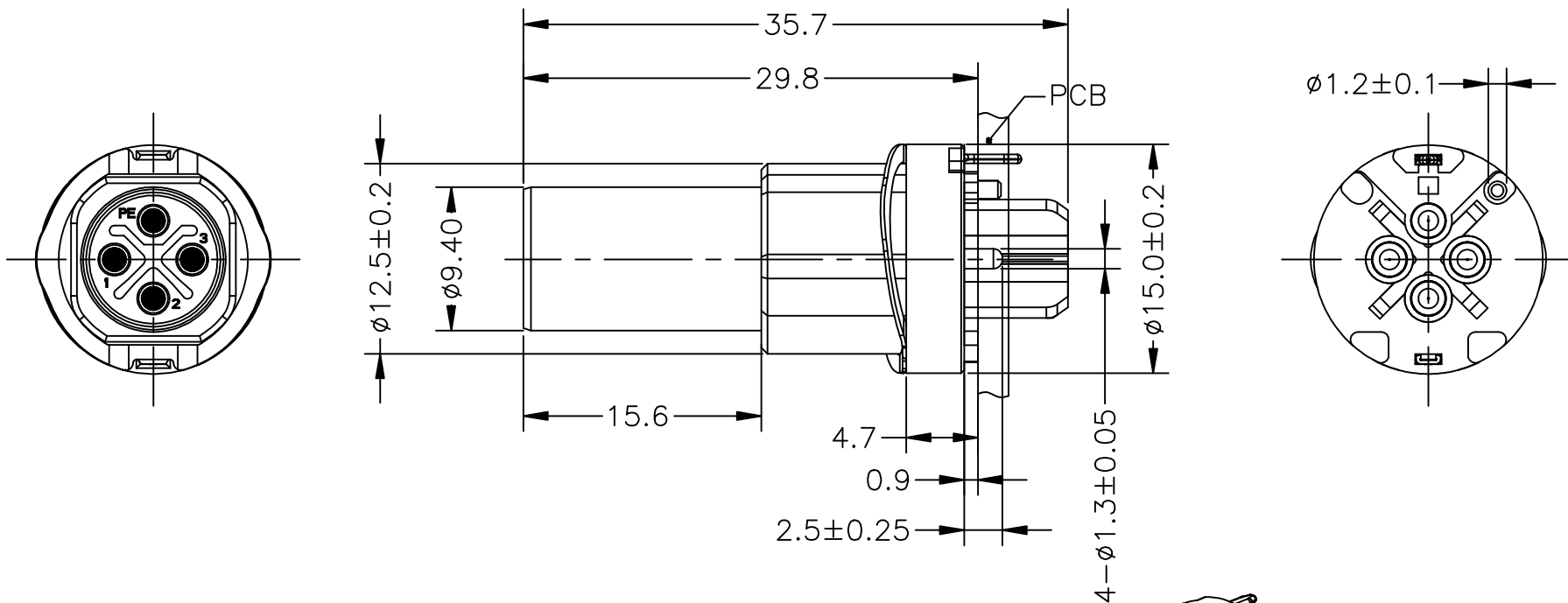


REV	DESCRIPTION	DATE	APPROVED
S0	CREATED DRAWING	2023/01/10	ZK



DRAWN BY		DATE	TITLE	
CHECKED BY		DATE	M12 S-CODING (3+PE)PIN MALE PCB RECEPTACLE	
CHECKED BY		DATE	SGN NO	120504-03-018
APPROVED BY		DATE	DWG NO	SGNYD2108075-8
PROPERTY OF SIGNAL COMPANY.		TOLERANCES ARE:		THIRD ANGLE PROJECTION
ANY REPRODUCTION IN PART OR WHOLE WITHOUT THE WRITTEN PERMISSION OF SIGNAL COMPANY IS PROHIBITED.		DECIMALES		SIZE: A4
		ANGLES		UNITS: mm
		.x ±0.5		SCALE: 1:1
		.x' ±2.0'		SHEET:1 OF 1
		.xx ±0.20		
		.x' ±1.0'		