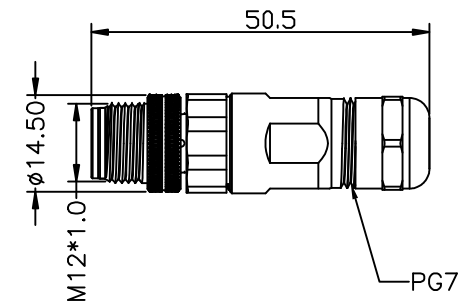
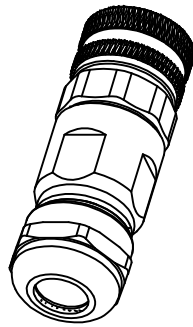


REV	DESCRIPTION	DATE	APPROVED
S0	CREATED DRAWING	2016/10/08	CHENY



Electrical character

Rated voltage	250V
Rated current	4A
Mechanical characteristics (mating cycle)	>100
Degree of protection (ISO-20653, IEC60529)	IP67
Operating temperature (depending on cable quality)	-25°C ~ +85°C
Destructive withstand force between connector and overmold exceeds	**kgf
Tightening torque (range)	0.4~1.8Nm
Pollution degree	3
*ALL MATERIALS ARE RoHS COMPLIANT*	

Electrical character

Part Number	Contacts	Rated voltage		Rated current	Contact Resistance	Cable OD (mm)
		A/C	D/C			
120404-01-005		250V	250V	4A	10mΩ	6~8

**SIGNAL**<sup>®</sup>  
Shenzhen Signal Electronics co.,Ltd

THE INFORMATION CONTAINED IN THIS DRAWING IS THE SOLE PROPERTY OF SIGNAL COMPANY. ANY REPRODUCTION IN PART OR WHOLE WITHOUT THE WRITTEN PERMISSION OF SIGNAL COMPANY IS PROHIBITED.

TITLE M12 D 4P/F ASSEMBLY CONNECTOR

DRAWN BY	DATE	SGN NO	120404-01-005	REV.
CHECKED BY	DATE	DWG NO		
CHECKED BY	DATE	CUSTOMER		S0
APPROVED BY	DATE	TOLERANCES ARE:	THIRD ANGLE PROJECTION	
		DECIMALES	ANGLES	SIZE: A4 UNITS: mm
		.x ±0.5	.x' ±1.0'	SCALE: SHEET: 1 OF 1
		.xx ±0.20	.x' ±0.5'	