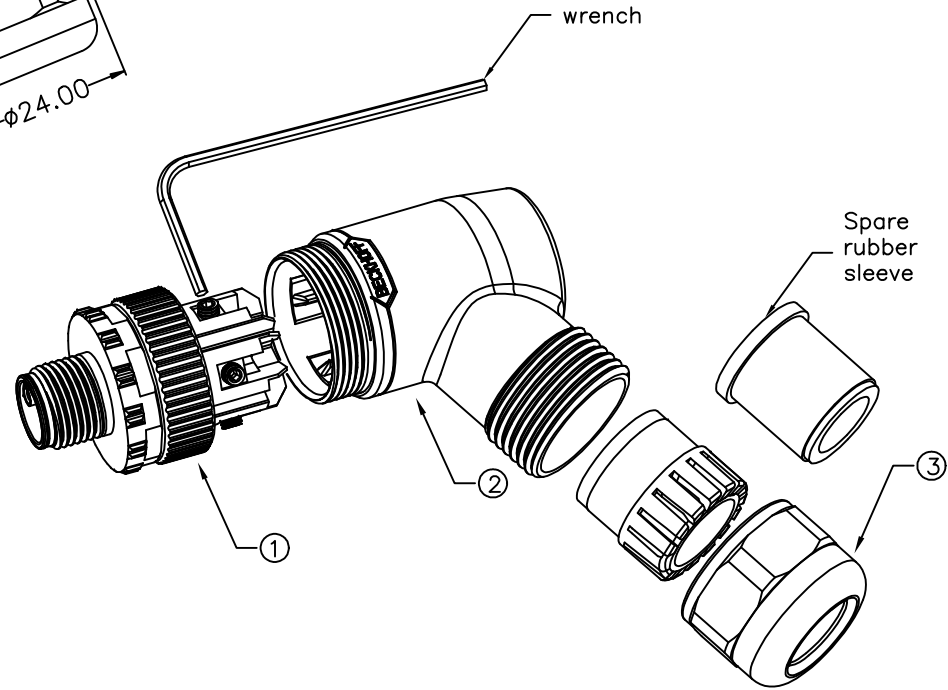
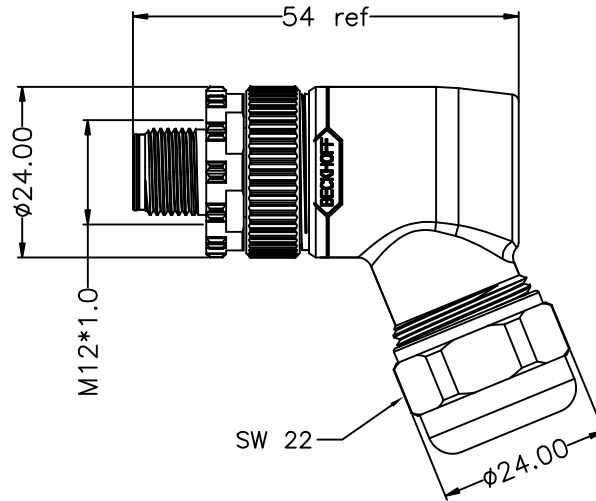
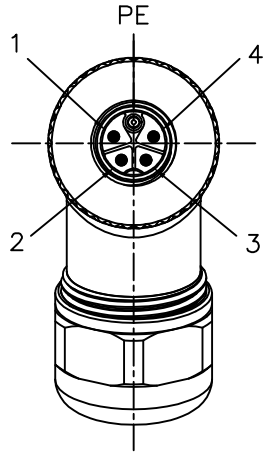
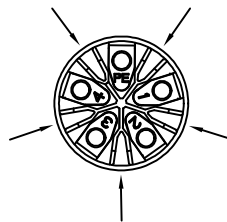


REV	DESCRIPTION	DATE	APPROVED
S0	CREATED DRAWING	2022/08/22	ZK
S1	UPDATE DRAWING	2023/02/09	ZK



Electrical character

Rated voltage	630V
Rated current	12A
Mechanical characteristics (mating cycle)	>100
Degree of protection (ISO-20653, IEC60529)	IP67
Operating temperature (depending on cable quality)	-25°C ~ +80°C
Destructive withstand force between connector and overmold exceeds	**kgf
Tightening torque (range)	0.4~1.8Nm
Pollution degree	3
ALL MATERIALS ARE RoHS COMPLIANT	



5 assembly directions

SIGNAL ® Shenzhen Signal Electronics Co., LTD		TITLE M12 K CODE MALE PLASTIC ASSEMBLY CONNECTOR	
DRAWN BY	DATE	SGN NO	121305-01-002
CHECKED BY	DATE	DWG NO	SGNYD2208016
CHECKED BY	DATE	CUSTOMER	
APPROVED BY	DATE	TOLERANCES ARE:	THIRD ANGLE PROJECTION
<small>THE INFORMATION CONTAINED IN THIS DRAWING IS THE SOLE PROPERTY OF SIGNAL COMPANY. ANY REPRODUCTION IN PART OR WHOLE WITHOUT THE WRITTEN PERMISSION OF SIGNAL COMPANY IS PROHIBITED.</small>		DECIMALES	ANGLES
		.x ±0.5	x.' ±2.0°
		.xx ±0.20	.x' ±1.0°
		SIZE: A4	UNITS: mm
		SCALE:	SHEET: 1 OF 1

ITEM	PART NO.	SPECIFICATION	Q'TY	UNIT
③	N/A	M12 TAIL WATERPROOF PARTS	1	SET
②	N/A	M12 ASSEMBLY SHELL	1	SET
①	N/A	M12 K MALE CONNECTOR	1	SET