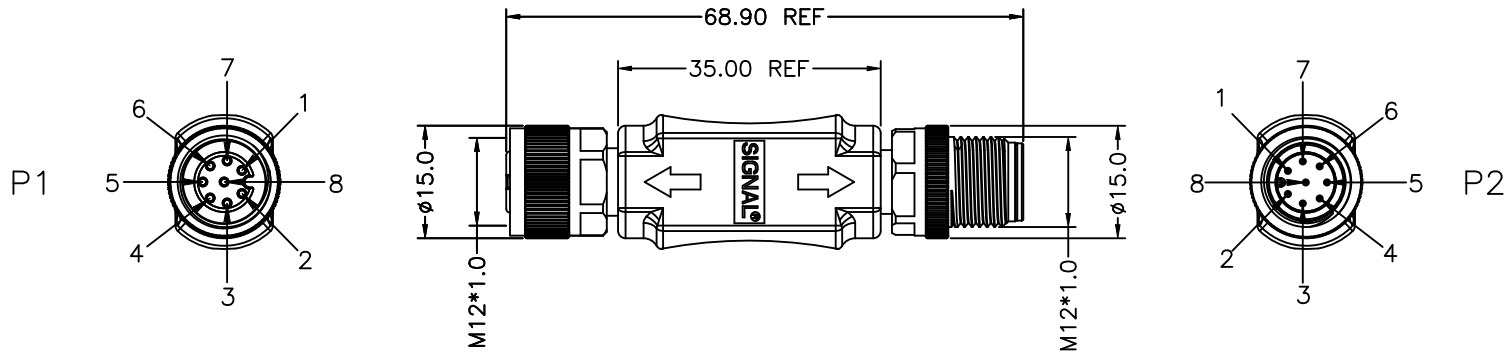
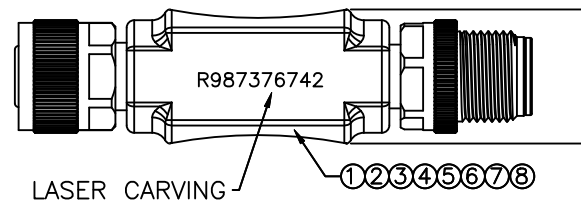
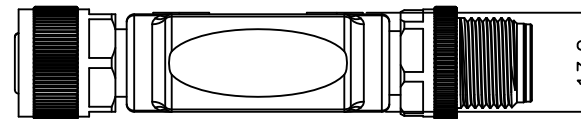


REV	DESCRIPTION	DATE	APPROVED
S0	CREATED DRAWING	2024/08/10	CBT



Electrical character

Rated voltage	60V
Rated current	4A
Mechanical characteristics (mating cycle)	>100
Degree of protection (ISO-20653,IEC60529)	IP67
Operating temperature (depending on cable quality)	-25°C ~ +80°C
Destructive withstand force between connector and overmold exceeds	**kgf
Tightening torque (range)	0.4~1.8Nm
Pollution degree	3
ALL MATERIALS ARE RoHS COMPLIANT	



WIRE LIST

P1	COLOR	P2
1	WHITE	1
2	BROWN	2
3	GREENER	3
4	YELLOW	4
5	GREY	5
6	PINK	6
7	BLUE	7
8	RED	8

⑥	GL00031	STRUCTURAL GLUE H-D908 WHITE	2	g
⑤	PL00008	BLACK PVC 30P	15	g
④	PL00106	AMBER TRANSPARENT LOW PRESSURE INJECTION MOLDING COMPOUND	6	g
③	N/A	M12 A CODING 8 PIN MALE CONNECTOR STAINLESS STEEL S316 (ANTI-VIBRATION)	1	SET
②	N/A	M12 A CODING 8 PIN FEMALE CONNECTOR STAINLESS STEEL S316 (ANTI-VIBRATION)	1	SET
①	N/A	UL1007 24AWG HOOK UP WIRE	1	SET
ITEM	PART NO.	SPECIFICATION	Q'TY	UNIT

SIGNAL[®]
Shenzhen Signal Electronics co.,Ltd

DRAWN BY	DATE
CHECKED BY	DATE
CHECKED BY	DATE
APPROVED BY	DATE

THE INFORMATION CONTAINED IN THIS DRAWING IS THE SOLE PROPERTY OF SIGNAL COMPANY. ANY REPRODUCTION IN PART OR WHOLE WITHOUT THE WRITTEN PERMISSION OF SIGNAL COMPANY IS PROHIBITED.

TITLE		M12*1.0 8PIN/M TO 8PIN/F ADAPTOR	
SGN NO	120108-10-050	REV.	
DWG NO			
CUSTOMER			S0
TOLERANCES ARE:		THIRD ANGLE PROJECTION	
DECIMALES	ANGLES	SIZE: A4	UNITS: mm
.x ±0.50	x.' ±2.0'	SCALE: 1:1	SHEET: 1 OF 1
.xx ±0.20	.x' ±1.0'		