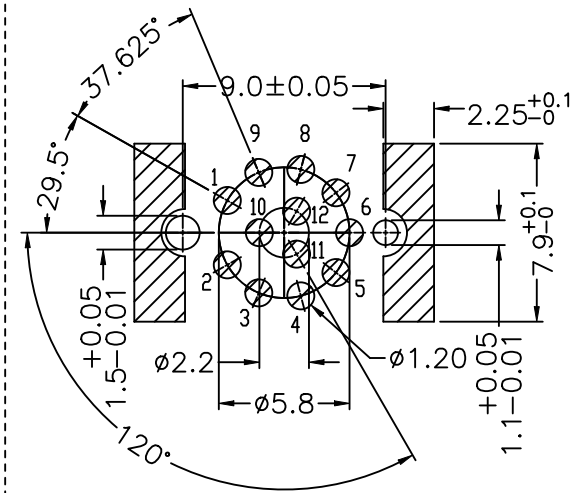
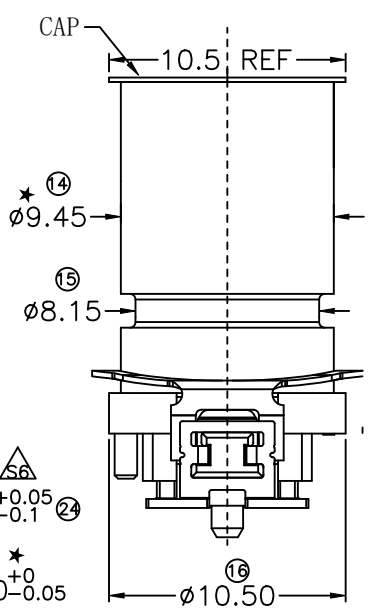
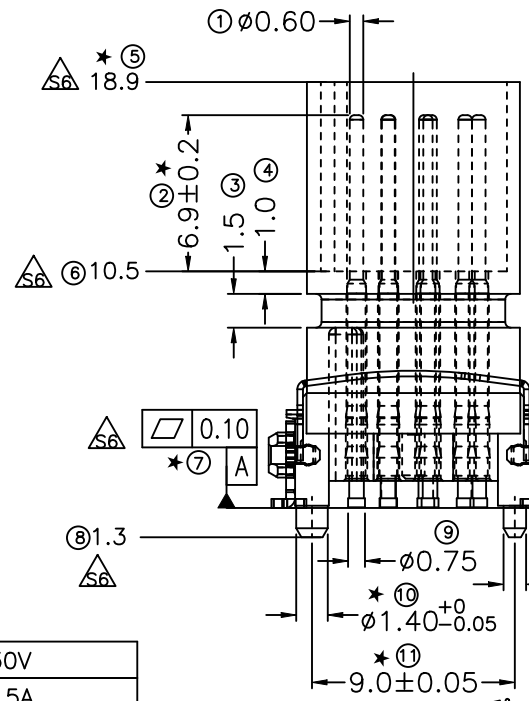
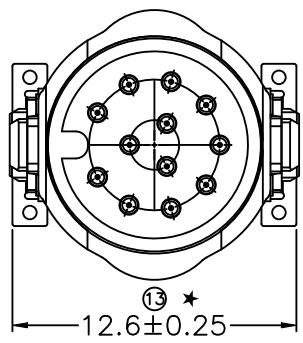
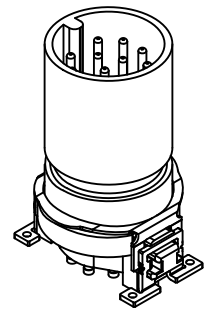
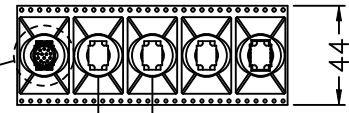
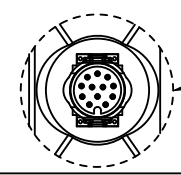
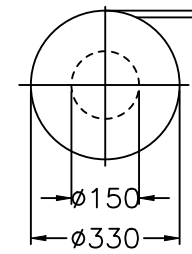


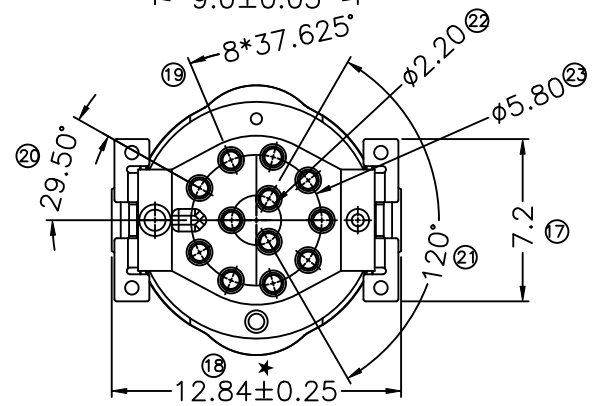
REV	DESCRIPTION	DATE	APPROVED
S5	UPDATE DRAWING	2018/08/08	CRB
S6	UPDATE DIMENSIONING	2018/10/16	CRB



RECOMMENDED PCB LAYOUT




TAPE AND REEL WITH CAP /100 PCS



Electrical character


Rated voltage	30V
Rated current	1.5A
Mechanical characteristics (mating cycle)	>100
Degree of protection (ISO-20653, IEC60529)	IP67
Operating temperature (depending on cable quality)	-25°C ~ +80°C
Destructive withstand force between connector and overmold exceeds	**kgf
Tightening torque (range)	0.4~1.8Nm
Pollution degree	3
*ALL MATERIALS ARE RoHS COMPLIANT*	



**SIGNAL**<sup>®</sup>

Shenzhen Signal Electronics co.,Ltd

TITLE  
M12 MALE 12PIN A COD  
SMT 10.5mm CONNECTOR

DRAWN BY	DATE	SGN NO	120112-03-022	REV.	
CHECKED BY	DATE	DWG NO			
CHECKED BY	DATE	CUSTOMER		S6	
APPROVED BY	DATE	TOLERANCES ARE:		THIRD ANGLE PROJECTION	
<small>THE INFORMATION CONTAINED IN THIS DRAWING IS THE SOLE PROPERTY OF SIGNAL COMPANY. ANY REPRODUCTION IN PART OR WHOLE WITHOUT THE WRITTEN PERMISSION OF SIGNAL COMPANY IS PROHIBITED.</small>		DECIMALES	ANGLES		
		.x ±0.50	x.' ±2.0'		SIZE: A4
		.xx ±0.20	.x' ±1.0'	SCALE: 1:1	SHEET: 1 OF 1