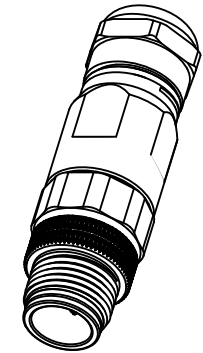
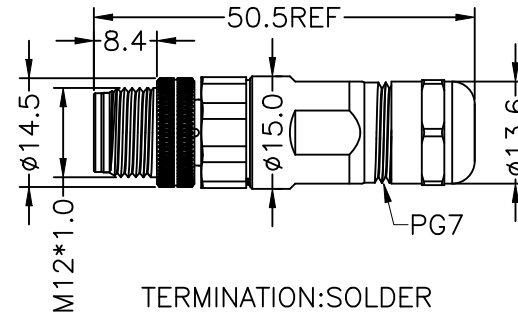


REV	DESCRIPTION	DATE	APPROVED
S0	CREATED DRAWING	2024/08/15	CBT

Electrical character

Rated voltage	250V	60V	30V
Rated current	4A	2A	
Mechanical characteristics (mating cycle)	>100		
Degree of protection (ISO-20653,IEC60529)	IP67		
Operating temperature (depending on cable quality)	-25°C ~ +85°C		
Destructive withstand force between connector and overmold exceeds	**kgf		
Tightening torque (range)	0.4~1.8Nm		
Pollution degree	3		
*ALL MATERIALS ARE RoHS COMPLIANT*			



Electrical character

Part Number	Contacts	Rated voltage		Rated current	Contact Resistance	Cable OD (mm)
		A/C	D/C			
120103-01-005		250V	250V	4A	10mΩ	4~6
120104-01-005		250V	250V	4A	10mΩ	4~6
120105-01-005 ✓		60V	60V	4A	10mΩ	4~6
120108-01-005		30V	30V	2A	10mΩ	4~6



Shenzhen Signal Electronics co.,Ltd

DRAWN BY	DATE
CHECKED BY	DATE
CHECKED BY	DATE
APPROVED BY	DATE

TITLE	
M12 Male assembly connector with shield PG7	
SGN NO	120103~08-01-005
DWG NO	
CUSTOMER	
REV.	S0
TOLERANCES ARE:	THIRD ANGLE PROJECTION
DECIMALES .x ±0.50	ANGLES x.' ±2.0'
.xx ±0.20	.x' ±1.0'
SIZE: A4	UNITS: mm
SCALE: 1:1	SHEET: 1 OF 1

THE INFORMATION CONTAINED IN THIS DRAWING IS THE SOLE PROPERTY OF SIGNAL COMPANY. ANY REPRODUCTION IN PART OR WHOLE WITHOUT THE WRITTEN PERMISSION OF SIGNAL COMPANY IS PROHIBITED.