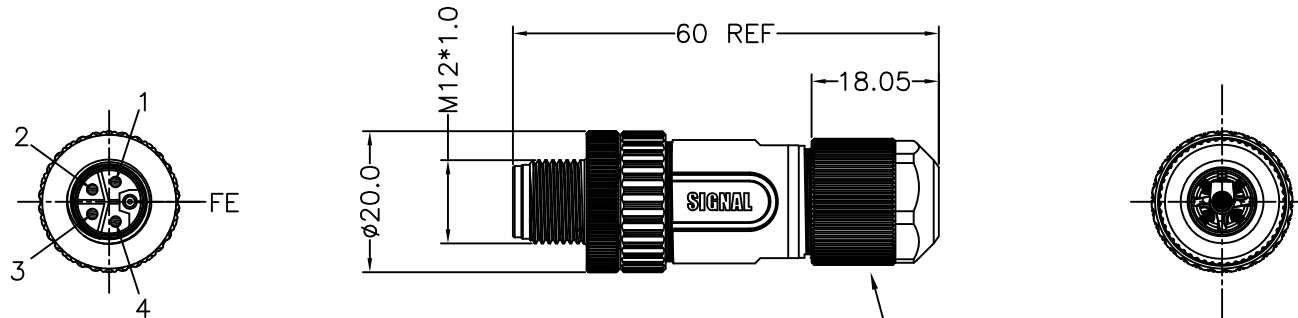


REV	DESCRIPTION	DATE	APPROVED
S0	CREATED DRAWING	2021/06/07	ZK
S1	UPDATE DRAWING	2021/06/15	ZK

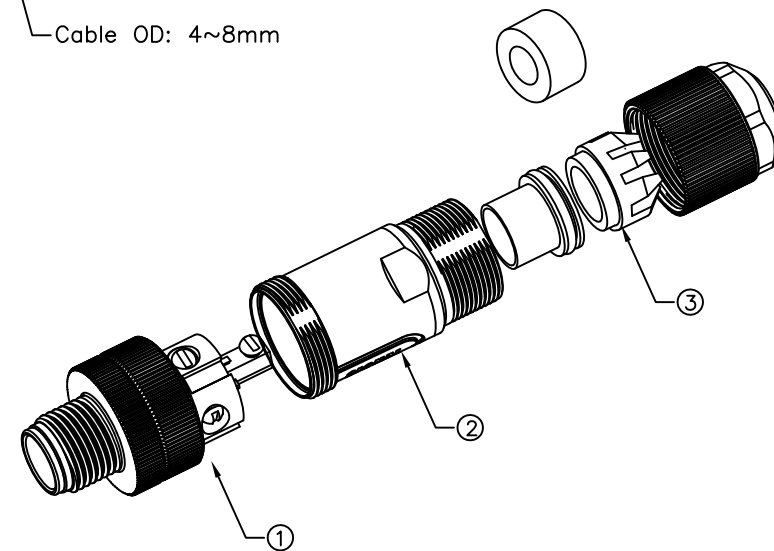


Terminal: Screw Cable OD: 4~8mm

Detailed Product Description:
 Waterproof connector rating is IP67
 They can not be used permanently under water
 Per ISO-20653,IEC60529

Connector Electrical Characteristics:
 Rating voltage: 63V AC/DC
 Insulation resistance: >100MΩ
 Rating current: 16A
 Contact resistance of connector: ≤10mΩ
 Mechanical characteristics: mating / cycle >100cycle
 Operating temperature: -25°C ~ +85°C

ALL MATERIALS ARE RoHS COMPLIANT



ITEM	PART NO.	SPECIFICATION	Q'TY	UNIT
③	N/A	M12 TAIL WATERPROOF PARTS	1	SET
②	N/A	M12 ASSEMBLY METAL SHELL	1	SET
①	N/A	M12 L 5P MALE CONNECTOR	1	SET

		TITLE M12 L CODING 5PIN MALE ASSEMBLY CONNECTOR(METAL)	
		SGN NO 121005-01-004	REV. S1
DRAWN BY	DATE	DWG NO	
CHECKED BY	DATE	CUSTOMER	
CHECKED BY	DATE	TOLERANCES ARE:	
APPROVED BY	DATE	DECIMALES .x ±0.5	ANGLES x.' ±2.0'
<small>THE INFORMATION CONTAINED IN THIS DRAWING IS THE SOLE PROPERTY OF SIGNAL COMPANY. ANY REPRODUCTION IN PART OR WHOLE WITHOUT THE WRITTEN PERMISSION OF SIGNAL COMPANY IS PROHIBITED.</small>		.xx ±0.20	.x' ±1.0'
		THIRD ANGLE PROJECTION	SCALE: A4 UNITS: mm SHEET: 1 OF 1