

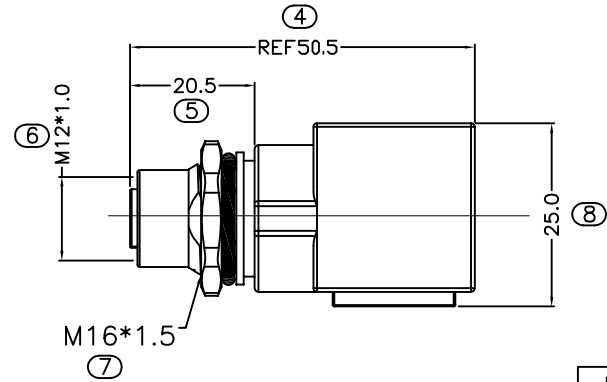
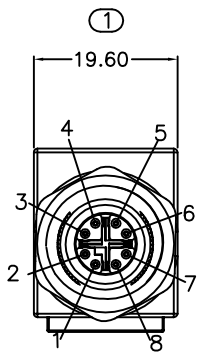
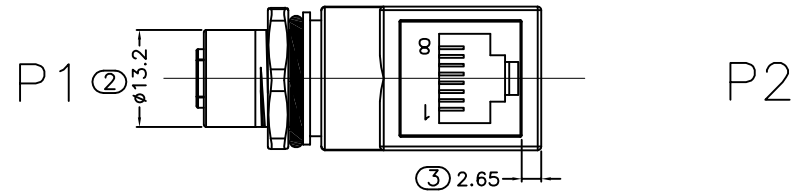
REV	DESCRIPTION	DATE	APPROVED
S0	CREATED DRAWING	2018/01/17	YMX
S1	CREATED DRAWING	2019/07/05	YMX
S2	WIRING TABLE IS ADDED TO THE GROUND	2022/06/28	YMX

Technical Data:
 Protection class When coupled-IP67(P1)
 They can not be used permanently under water
 Per ISO-20653,IEC60529
 Destructive withstand force between connector and overmold exceeds 5.0kgf.

Electrical properties at +20 °C
 Rating voltage: 50 AC/DC
 Insulation resistance: >100MΩ
 Rating current: 0.5 A
 Mechanical characteristics: mating cycle >100cycles
 Operating temperature: -25°C ~ +80°C
 Tightening torque (range) 0.4~1.8Nm
 (note max. torque of mating connector!)

TESTING CONDITIONS:
 1. VOLTAGE: 300V DC/0.1S
 2. 100% OPEN AND SHORT ELECTRICAL TEST

ALL MATERIALS ARE RoHS COMPLIANT



WIRE LIST

P1	PAIR	COLOR	P2
1	X	WHITE/ORANGE	1
2		ORANGE	2
3	X	WHITE/GREEN	3
4		GREEN	6
5	X	WHITE/BROWN	7
6		BROWN	8
7	X	WHITE/BLUE	5
8		BLUE	4
SHELL		BLACK	SHELL

ITEM	PART NO.	SPECIFICATION	Q'TY	UNIT
①	GL00031	Structural adhesive H-D908 white (50 ml each)	1	g
⑩	N/A	UL1061 24AWG HOOK UP WIRE BLACK	1	PCS
⑨	CN00602	RJ45 rear cover black PVC 30P for CN00222	1	PCS
⑧	OR00008	O-Ring GREEN FKMφ13.0*φ2.0mm	1	PCS
⑦	PL00007	HD PE	3	g
⑥	PL00008	BLACK PVC 30P	10	g
⑤	NU00008	M16 Brass plated ni NUT L*W=2.8*19mm	1	PCS
④	WK00408	M12 Female Brass plated ni front mount M16*1.5 L=24.5mm	1	PCS
③	N/A	M12 X Coding 8pin female connector	1	SET
②	CN00222	RJ45 8P8C STRAIGHT ANGLE WITH SHEILD	1	PCS
①	N/A	24AWG HOOK UP WIRE	1	SET

SIGNAL[®]

Shenzhen Signal Electronics co.,Ltd

TITLE
M12 X CODING 8P/F
TO RJ45/F 90° ADAPTER

DRAWN BY	DATE	SGN NO	REV.		
CHECKED BY	DATE	120708-10-005			
CHECKED BY	DATE	DWG NO	S2		
APPROVED BY	DATE	CUSTOMER			
THE INFORMATION CONTAINED IN THIS DRAWING IS THE SOLE PROPERTY OF SIGNAL COMPANY. ANY REPRODUCTION IN PART OR WHOLE WITHOUT THE WRITTEN PERMISSION OF SIGNAL COMPANY IS PROHIBITED.		TOLERANCES ARE:			
		DECIMALES	ANGLES	THIRD ANGLE PROJECTION	
		.x±0.50	x.' ±2.0'	SIZE: A4	UNITS: mm
		.xx±0.20	.x' ±1.0'	SCALE:	SHEET: 1 OF 1