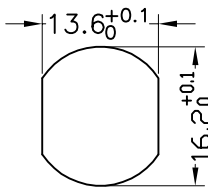


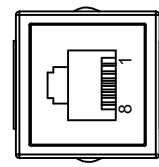
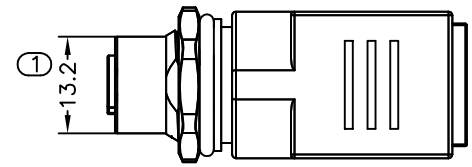
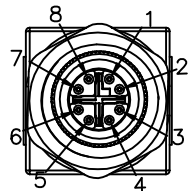
A B C D E F G H I J

REV	DESCRIPTION	DATE	APPROVED
S0	CREATED DRAWING	2018/07/09	YMX
S1	CREATED DRAWING	2021/06/04	YMX
S2	WIRING TABLE IS ADDED TO THE GROUND	2021/06/04	YMX



Recommended Panel Cut-Off

P1



P2

Technical Data:

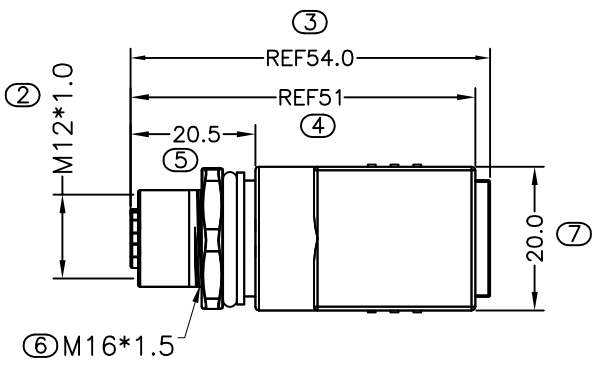
Protection class When coupled-IP67(P1)  
 They can not be used permanently under water  
 Per ISO-20653,IEC60529  
 Destructive withstand force between connector and overmold exceeds 5.0kgf.

Electrical properties at +20 °C  
 Rating voltage: 50 AC/DC  
 Insulation resistance: >100MΩ  
 Rating current: 0.5 A  
 Mechanical characteristics: mating cycle >100cycles  
 Operating temperature: -25°C ~ +80°C  
 Tightening torque (range) 0.4~1.8Nm  
 (note max. torque of mating connector!)

TESTING CONDITIONS:

- VOLTAGE: 300V DC/0.1S
- 100% OPEN AND SHORT ELECTRICAL TEST

\*ALL MATERIALS ARE RoHS COMPLIANT\*



WIRE LIST

P1	PAIR	COLOR	P2
1	X X	WHITE/ORANGE	1
2		ORANGE	2
3	X X	WHITE/GREEN	3
4		GREEN	6
5	X X	WHITE/BROWN	7
6		BROWN	8
7	X X	WHITE/BLUE	5
8		BLUE	4
SHELL		BLACK	SHELL

①	GL00031	Structural adhesive H-D908 white (50 ml each)	1	g
⑩	N/A	UL1061 24AWG HOOK UP WIRE BLACK	1	PCS
⑨	CN00602	RJ45 rear cover black PVC 30P for CN00222	1	PCS
⑧	PL00007	HD PE	3	g
⑦	PL00008	BLACK PVC 30P	10	g
⑥	OR00008	O-Ring GREEN FKM ϕ13.0*ϕ2.0mm	1	PCS
⑤	N/A	M16 Brass plated ni NUT L*W=2.8*19mm	1	PCS
④	WK00408	M12 Female Brass plated ni front mount M16*1.5 L=24.5mm	1	PCS
③	N/A	M12 X Coding 8pin female connector	1	SET
②	CN00222	RJ45 8P8C STRAIGHT ANGLE WITH SHEILD	1	PCS
①	N/A	NO-UL 24AWG HOOK UP WIRE	1	PCS

ITEM	PART NO.	SPECIFICATION	Q'TY	UNIT
------	----------	---------------	------	------

**SIGNAL**<sup>®</sup>  
 Shenzhen Signal Electronics co.,Ltd

DRAWN BY	DATE
CHECKED BY	DATE
CHECKED BY	DATE
APPROVED BY	DATE

THE INFORMATION CONTAINED IN THIS DRAWING IS THE SOLE PROPERTY OF SIGNAL COMPANY.  
 ANY REPRODUCTION IN PART OR WHOLE WITHOUT THE WRITTEN PERMISSION OF SIGNAL COMPANY IS PROHIBITED.

TITLE: M12 X CODING 8P/F TO RJ45/F7 ADAPTER

SGN NO	120708-10-007	REV.	
DWG NO			
CUSTOMER			S2

TOLERANCES ARE:  
 DECIMALES ANGLES  
 x.' ±2.0'  
 .x' ±1.0'

THIRD ANGLE PROJECTION

SIZE: A4 UNITS: mm  
 SCALE: SHEET: 1 OF 1

A B C D E F G H I J