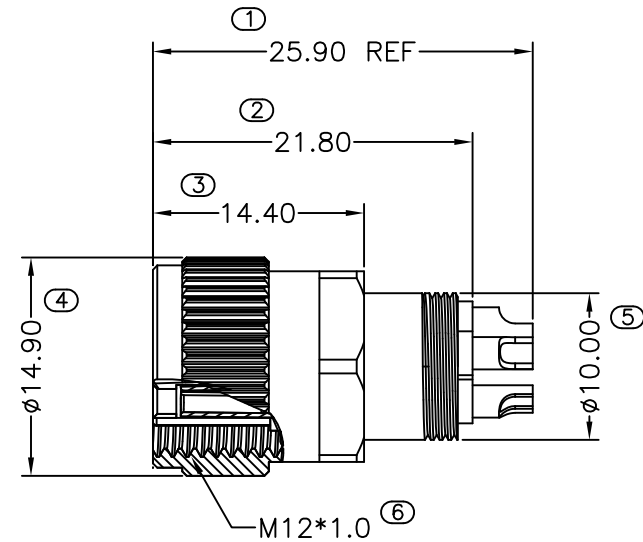
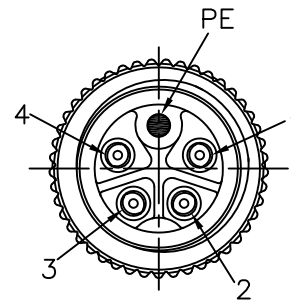


REV	DESCRIPTION	DATE	APPROVED
S0	CREATED DRAWING	2020/07/13	CYF


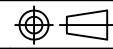


Detailed Product Description:
 Waterproof connector rating is IP67
 They can not be used permanently under water
 Per ISO-20653,IEC60529

Connector Electrical character
 Rating voltage: 630V
 Insulation resistance: >100MΩ
 Rating current: 12A
 Contact resistance of connector ≤5mΩ
 Mechanical characteristics: mating / cycle >100cycle
 Operating temperature: -25°C ~ +85°C

ALL MATERIALS ARE RoHS COMPLIANT

⑤	OR00013	O-RING FKM GREEN	1	PCS
④	TE00751	M12 TERMINAL GOLD PLATING OF PHOSPHOR BRONZE 1u" FEMALE	4	PCS
③	TE00750	M12 TERMINAL BRASS GOLD-PLATED 1u" MALE	1	PCS
②	YDWK0331	M12 SHELL NICKEL PLATING ON BRASS(ANTI-VIBRATION)	1	PCS
①	CN00780	M12 K CODING 5PIN(4+PE) FEMALE INSULATOR PA66+GF BLACK	1	PCS
ITEM	PART NO.	SPECIFICATION	Q'TY	UNIT

 SIGNAL [®] ShenZhen Signal Electronics co., Ltd		TITLE M12 K CODING 5PIN(4+PE) FEMALE CONNECTOR	
		SGN NO 121305-21-001	REV. SO
DRAWN BY	DATE	DWG NO	
CHECKED BY	DATE	CUSTOMER	
APPROVED BY	DATE	TOLERANCES ARE: DECIMALES ANGLES .x ±0.5 x.' ±2.0' .xx ±0.20 .x' ±1.0'	
<small>THE INFORMATION CONTAINED IN THIS DRAWING IS THE SOLE PROPERTY OF SIGNAL COMPANY. ANY REPRODUCTION IN PART OR WHOLE WITHOUT THE WRITTEN PERMISSION OF SIGNAL COMPANY IS PROHIBITED.</small>		THIRD ANGLE PROJECTION	
		SIZE: A4	UNITS: mm
		SCALE: 1:1	SHEET: 1 OF 1