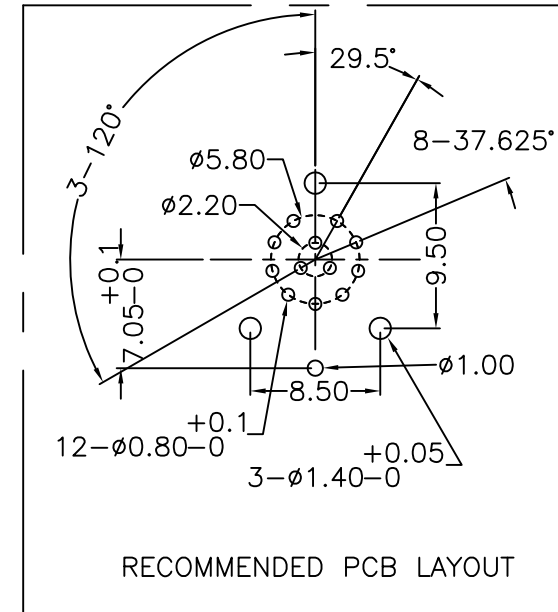
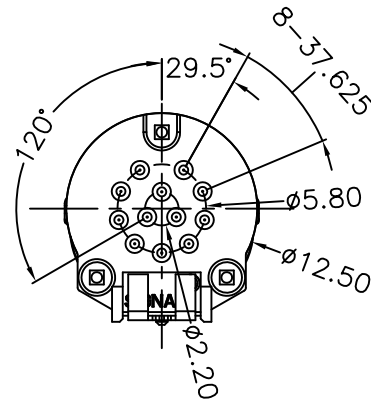
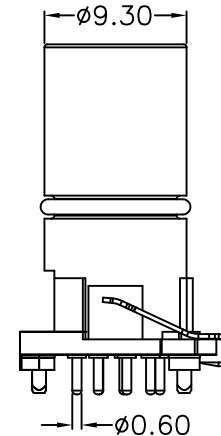
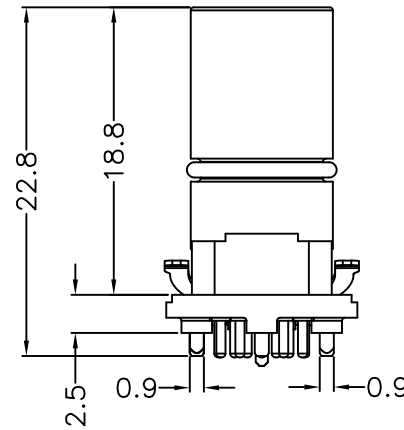
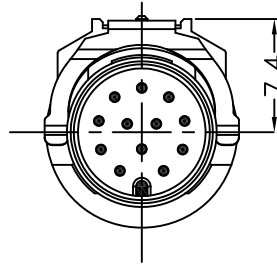
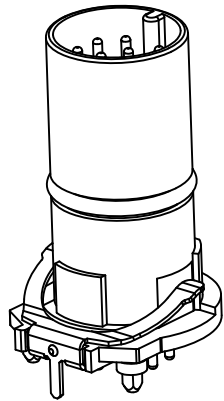


REV	DESCRIPTION	DATE	APPROVED
S0	CREATED DRAWING	2022/11/01	ZK



Detailed Product Description
Connector electrical characteristics:

- Rating voltage: 30V
- Insulation resistance: >100MΩ
- Rating current: 1.5A
- Contact resistance of connector ≤5mΩ
- Mechanical characteristics: mating / cycle >100 cycle
- Termination: THR
- PINS: 12
- CODING: A
- Configuration: M12, male / stamped contacts
- The highest temperature: 265°C
- According to IEC61076-2-101

*ALL MATERIALS ARE RoHS COMPLIANT.

ITEM	PART NO.	SPECIFICATION	Q'TY	UNIT
④	N/A	PHOSPHOR COPPER TINNED GROUND SHRAPNEL	1	PCS
③	OR00047-2	BLACK O-RING ϕ 7.5*1.0mm	1	PCS
②	TE01304	M12 BRASS GOLD PLATED MALE TERMINAL	12	PCS
①	CN01280	M12 A 12P MALE PANEL RUBBER CORE (LCP)	1	PCS

SIGNAL [®] Shenzhen Signal Electronics Co., LTD		TITLE M12 MALE A CODE 12PIN CONNECTOR(THR)	
		SGN NO SGNYD2210048-6	REV. S0
DRAWN BY	DATE	DWG NO	TOLERANCES ARE: DECIMALES ANGLES .x ±0.15 x.' ±1.0' .xx ±0.10 .x' ±0.5'
CHECKED BY	DATE	CUSTOMER	
CHECKED BY	DATE		
APPROVED BY	DATE	THIRD ANGLE PROJECTION	
<small>THE INFORMATION CONTAINED IN THIS DRAWING IS THE SOLE PROPERTY OF SIGNAL COMPANY. ANY REPRODUCTION IN PART OR WHOLE WITHOUT THE WRITTEN PERMISSION OF SIGNAL COMPANY IS PROHIBITED.</small>		SIZE: A4	UNITS: mm
		SCALE:	SHEET: 1 OF 2