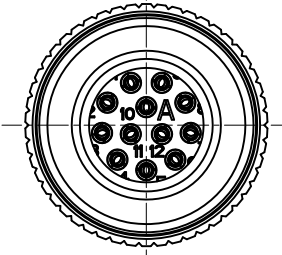
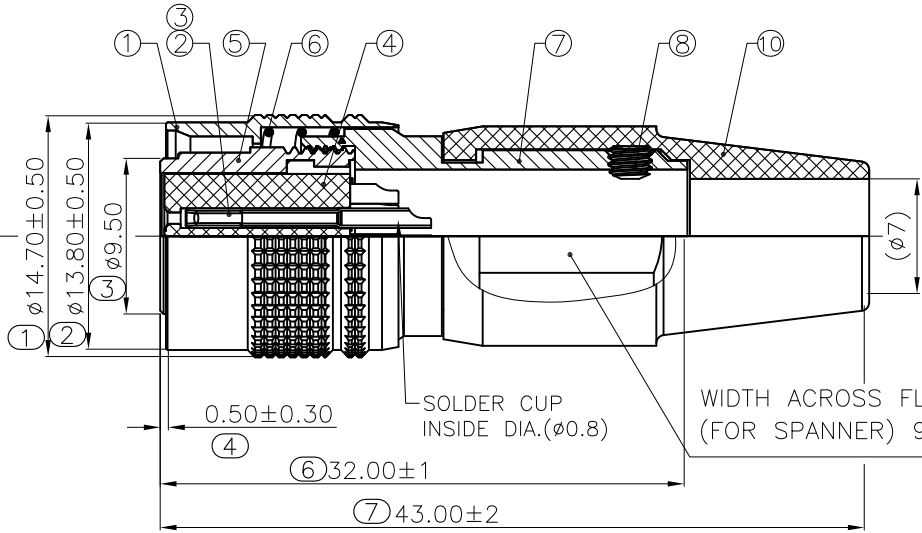
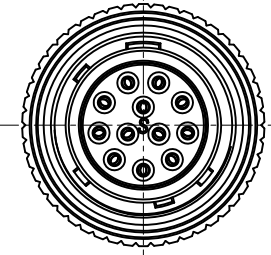
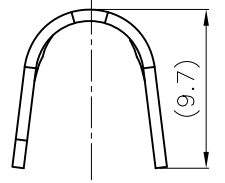
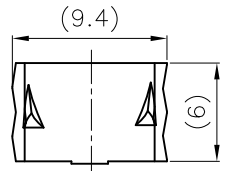


REV	DESCRIPTION	DATE	APPROVED
S0	CREATED DRAWING	2023/03/13	ZCH



Detailed product description:

Connector electrical character

Rating voltage: 100V AC, 140V DC,

Rating current : 2A

Insulation resistance: >1000M ohms

Contact resistance of connector  $\leq 10m$  ohms

Dielectric withstanding voltage: 300V AC R.M.S.Max.

Mechanical characteristics:

Mating cycles >1000 cycles

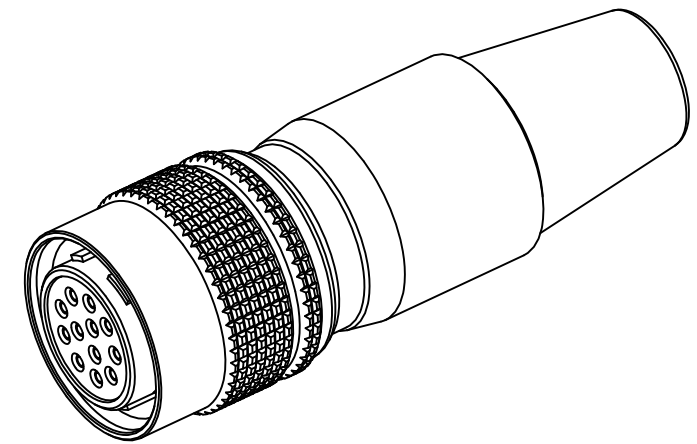
Operating temperature:  $-25^{\circ}\text{C} \sim +85^{\circ}\text{C}$

Storage temperature:  $-10^{\circ}\text{C} \sim +60^{\circ}\text{C}$

Cable OD:  $\phi 7.0\text{mm}$


Applicable Wire:  $0.15\text{mm}^2$ (26AWG),

\*All materials are RoHS compliant.



⑩	CN01137	12PIN PLUG CR RUBBER,BLACK	1	PCS
⑨	WJ00115	12PIN PLUG BRASS BUCKLE	1	PCS
⑧	NU00158	12PIN PLUG NICKEL PLATED BRASS NUT	1	PCS
⑦	WK00710	12PIN PLUG MOUNTING FRAME SHELL NICKEL PLATED BRASS	1	PCS
⑥	WJ00114	12PIN PLUG STAINLESS STEEL SPRING	1	PCS
⑤	WK00709	12PIN PLUG NICKEL PLATED ZINC ALLOY BODY	1	PCS
④	CN01138-2	12PIN PLUG A CODING 12PIN FEMALE INSULATION (PBT+GF)	1	PCS
③	TE01394-1	12PIN PLUG SILVER PLATED PHOSPHOR BRONZE FEMALE TERMINAL	3	PCS
②	TE01394	12PIN PLUG SILVER PLATED PHOSPHOR BRONZE FEMALE TERMINAL	9	PCS
①	WK00708	12PIN PLUG MATTE NICKEL PLATED BRASS REAR FASTENED SHELL	1	PCS

ITEM	PART NO.	SPECIFICATION	Q'TY	UNIT
------	----------	---------------	------	------



**SIGNAL**®  
Shenzhen Signal Electronics co.,Ltd

TITLE PUSH PULL 12PIN PLUG (SOLDER TYPE FORM CONTACT)

SGN NO 950112-21-003

DWG NO

CUSTOMER

TOLERANCES ARE:  
 DECIMALES ANGLES  
 .x  $\pm 0.5$  x.'  $\pm 2.0^{\circ}$   
 .xx  $\pm 0.20$  .x'  $\pm 1.0^{\circ}$

THIRD ANGLE PROJECTION

SIZE: A4 UNITS: mm  
 SCALE: 1:1 SHEET: 1 OF 1

DRAWN BY	DATE	REV.
CHECKED BY	DATE	SO
CHECKED BY	DATE	
APPROVED BY	DATE	

THE INFORMATION CONTAINED IN THIS DRAWING IS THE SOLE PROPERTY OF SIGNAL COMPANY. ANY REPRODUCTION IN PART OR WHOLE WITHOUT THE WRITTEN PERMISSION OF SIGNAL COMPANY IS PROHIBITED.