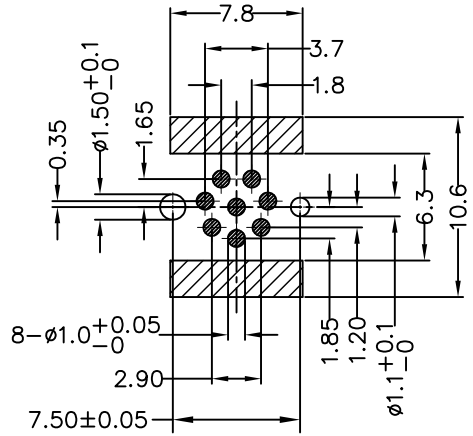
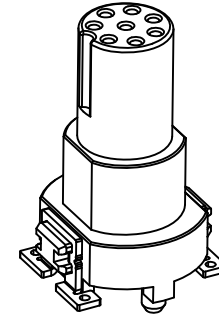
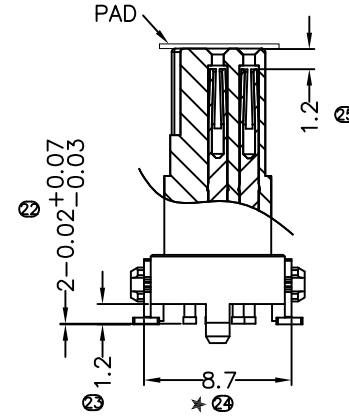
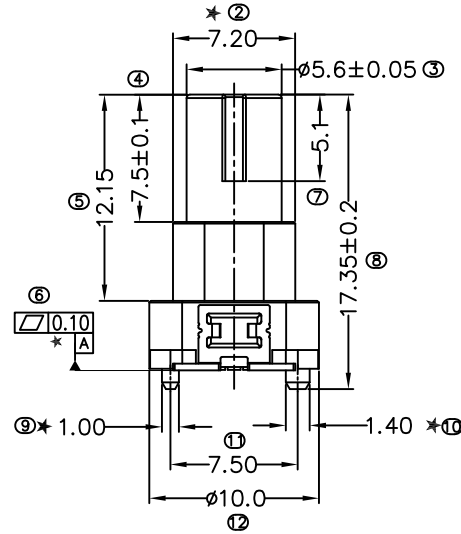
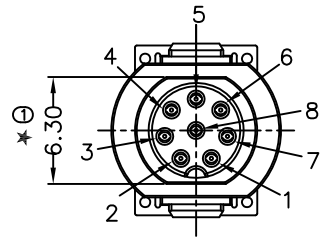


REV	DESCRIPTION	DATE	APPROVED
S0	CREATED DRAWING	2021/07/13	ZK
S1	UPDATE DRAWING	2022/02/08	ZK

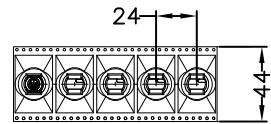
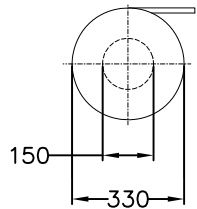


RECOMMENDED PCB LAYOUT

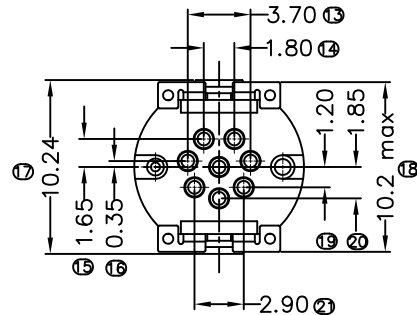


Detailed Product Description  
Connector electrical characteristics:  
Rating voltage: 30V  
Insulation resistance: >100MΩ  
Rating current: 1.5A  
Contact resistance of connector ≤5mΩ  
Mechanical characteristics:  
Mating/cycle: >100cycle  
Termination: SMT  
CODING: A  
PINS: 8  
Configuration: M8, female/stamped contacts  
Operating temperature: -40°C ~ +105°C  
Marked "★" for key inspection dimensions

\*ALL MATERIALS ARE RoHS COMPLIANT.



TAPE AND REEL WITH PAD/100 PCS



		TITLE M8 A CODING 8PIN FEMALE SMT CONNECTOR	
		SGN NO 080108-04-041	REV.
DRAWN BY	DATE	DWG NO SGN YD2001027-1	S1
CHECKED BY	DATE	CUSTOMER	
CHECKED BY	DATE		
APPROVED BY	DATE		
<small>THE INFORMATION CONTAINED IN THIS DRAWING IS THE SOLE PROPERTY OF SIGNAL COMPANY. ANY REPRODUCTION IN PART OR WHOLE WITHOUT THE WRITTEN PERMISSION OF SIGNAL COMPANY IS PROHIBITED.</small>		TOLERANCES ARE: DECIMALES .x ±0.15 .xx ±0.10 ANGLES x.' ±2.0' .x' ±1.0'	THIRD ANGLE PROJECTION 
		SIZE: A4	UNITS: mm
		SCALE: 1:1	SHEET: 1 OF 1