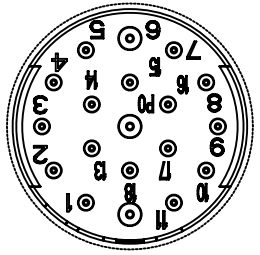
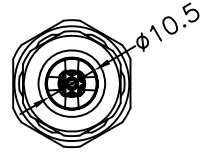
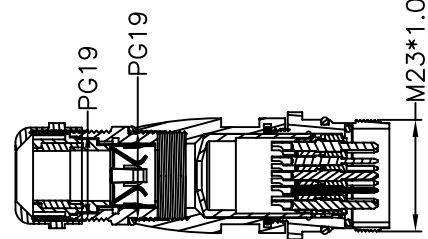
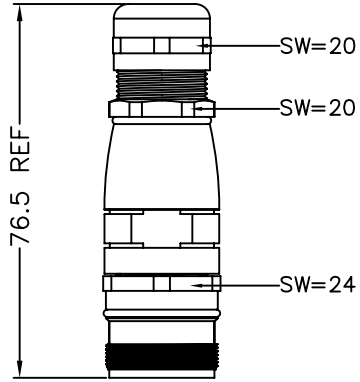
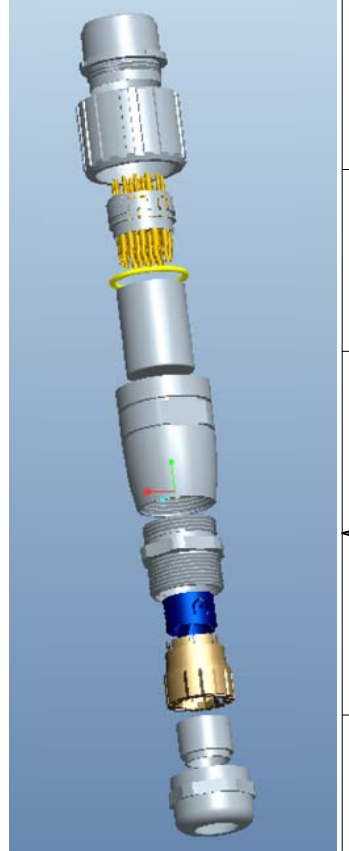
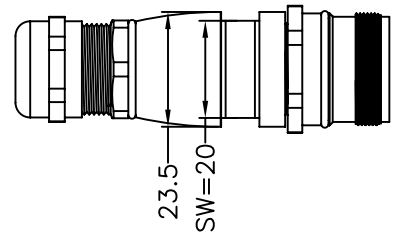
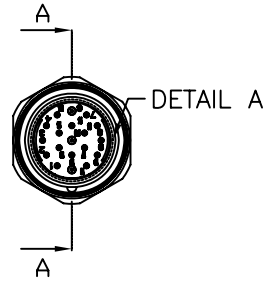
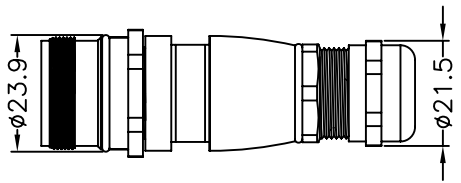


PROJECT NO:  
SGNYD1708070-5

REV	DESCRIPTION	DATE	APPROVED
S0	CREATED DRAWING	2017/09/11	CRB



SCALE:3:1  
DETAIL A




Detailed Product Description:  
Waterproof connector rating is IP67  
They can not be used permanently under water.

Connector Electrical character  
Rating voltage:25V-60V DC ,  
Insulation resistance: >100MΩ  
Rating current :16PIN/7A,3PIN/10A  
Contact resistance of connector ≤5mΩ  
Mechanical characteristics:  
mating / cycle >500 cycle  
Operating temperature: -40°C ~ +115°  
Design from DIN EN60664 AND DIN EN61984  
Cable ODø3mm-ø9.5mm  
3PIN: 0.14-1.5mm<sup>2</sup>  
16PIN:0.14-1.0mm<sup>2</sup>

\*ALL MATERIALS ARE RoHS COMPLIANT.

④	N/A	M23 RING	N/A	PCS
③	N/A	M23 SHELL	N/A	PCS
②	N/A	M23 TERMINAL	N/A	PCS
①	N/A	M23 HOUSING	N/A	PCS
ITEM	PART NO.	SPECIFICATION	Q'TY	UNIT



**SIGNAL**®

Shen Zhen Signal Electronics co.,Ltd

TITLE M23 19 PIN MALE HEAD METAL ASSEMBLY (M23\*1.0)

SGN NO 230019-01-001

DWG NO

CUSTOMER

DRAWN BY		DATE		THIRD ANGLE PROJECTION
CHECKED BY		DATE		
APPROVED BY		DATE		TOLERANCES ARE: DECIMALES ANGLES .x ±0.5 x.' ±2.0' .xx ±0.20 .x' ±1.0'
THE INFORMATION CONTAINED IN THIS DRAWING IS THE SOLE PROPERTY OF SIGNAL COMPANY. ANY REPRODUCTION IN PART OR WHOLE WITHOUT THE WRITTEN PERMISSION OF SIGNAL COMPANY IS PROHIBITED.				
SIZE: A4		UNITS: mm		SHEET: 1 OF 1
SCALE: 1:1				