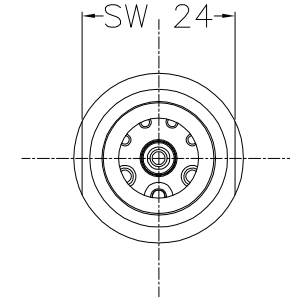
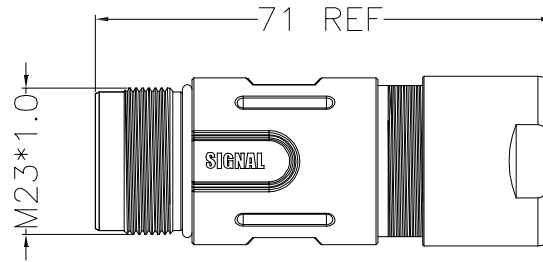
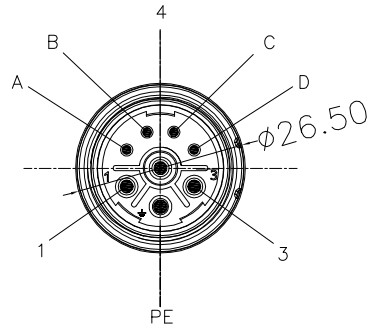


REV	DESCRIPTION	DATE	APPROVED
S0	CREATED DRAWING	2021/09/13	ZK



TERMINAL: CRIMP

Electrical character

Power: Rating voltage: 600V AC/DC
Rating current: 28A

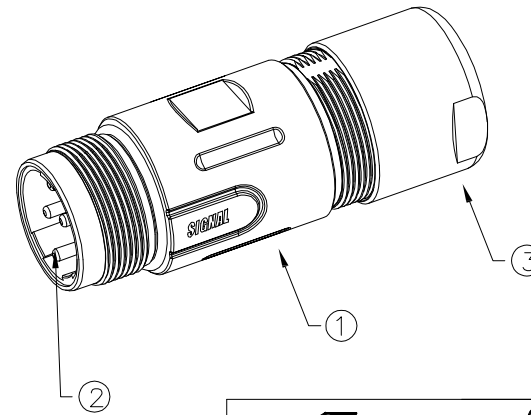
Data: Rating voltage: 300V AC/DC
Rating current: 8A


Insulation resistance: >100MΩ
Contact resistance: ≤5mΩ

Other Specification

Contact Pin: brass with gold-plated
Insulation plastic: PA66
Shell: kirsite
Protection degree: IP69K
Operating temperature: -40°C ~ +85°C

*ALL MATERIALS ARE RoHS COMPLIANT.



 Shenzhen Signal Electronics Co., LTD		TITLE M23 8PIN(4+3+PE) MALE ASSEMBLY CONNECTOR	
		SGN NO SGNYD2109027-3	REV. S0
DRAWN BY	DATE	DWG NO	CUSTOMER
CHECKED BY	DATE	TOLERANCES ARE:	
CHECKED BY	DATE	DECIMALES	ANGLES
APPROVED BY	DATE	.x ±0.5	x.* ±2.0°
THE INFORMATION CONTAINED IN THIS DRAWING IS THE SOLE PROPERTY OF SIGNAL COMPANY. ANY REPRODUCTION IN PART OR WHOLE WITHOUT THE WRITTEN PERMISSION OF SIGNAL COMPANY IS PROHIBITED.		.xx ±0.20	.x.* ±1.0°
		THIRD ANGLE PROJECTION	SCALE: SHEET: 1 OF 1

ITEM	PART NO.	SPECIFICATION	Q'TY	UNIT
③	N/A	M23 TAIL WATERPROOF PARTS	1	SET
②	N/A	M23 ASSEMBLY SHELL	1	SET
①	N/A	M23 MALE CONNECTOR	1	SET