

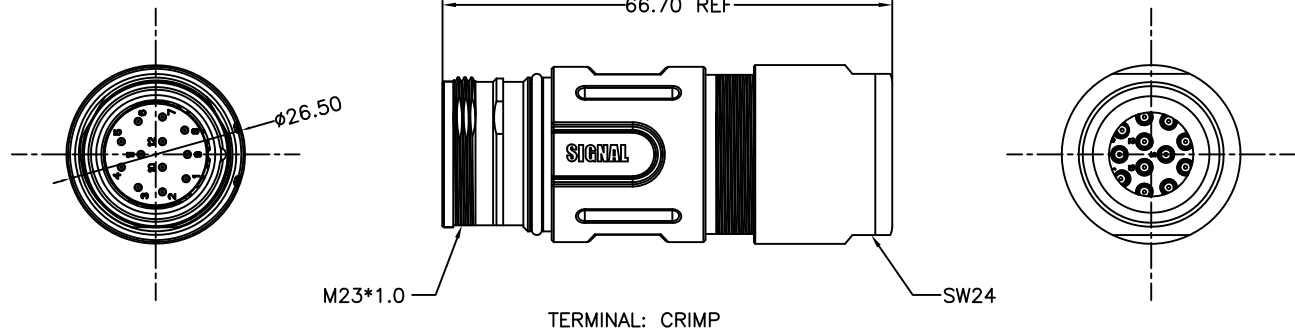
REV	DESCRIPTION	DATE	APPROVED
S0	CREATED DRAWING	2021/12/22	ZK

Detailed Product Description:  
 Waterproof connector rating is IP67  
 They can not be used permanently under water  
 Per ISO-20653,IEC60529

Core wire: 1.8mm max 26~17AWG  
 Cable peeling: 25mm  
 Core wire peeling: 3mm

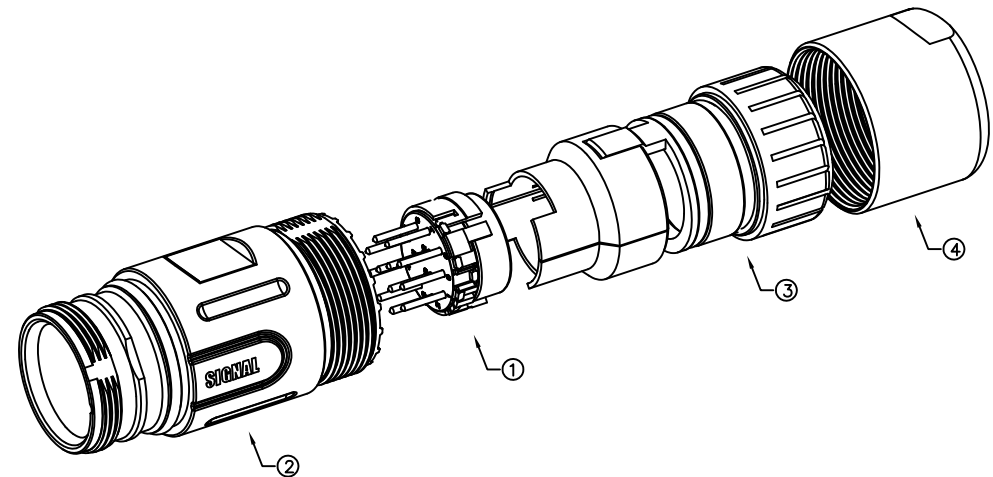
Mechanical characteristics: mating / cycle >100cycle  
 Operating temperature: -40°C ~ +105°C

\*ALL MATERIALS ARE RoHS COMPLIANT\*



Electrical character

Part Number	Contacts	Rated voltage		Rated current	Contact Resistance	Cable OD (mm)
		A/C	D/C			
230012-01-008		150V	150V	8A	5mΩ	7~12
230017-01-003		150V	150V	8A	5mΩ	7~12
230019-01-005-1		150V	150V	16*8A+3*10A	5mΩ	7~12



④	N/A	M23 TAIL NUT	BRASS	NICKEL	1	PCS
③	N/A	M23 TAIL WATERPROOF PARTS	PA66+NBR	N/A	1	SET
②	N/A	M23 ASSEMBLY SHELL	KIRSITE	NICKEL	1	SET
①	N/A	M23 MALE CONNECTOR	PA66+BRASS	N/A	1	SET
ITEM	PART NO.	SPECIFICATION	MATERIAL	COATING	Q'TY	UNIT

 Shenzhen Signal Electronics Co., LTD		TITLE M23 MALE METAL ASSEMBLY CONNECTOR	
DRAWN BY	DATE	SGN NO	REV.
CHECKED BY	DATE	N/A	S0
CHECKED BY	DATE	CUSTOMER	
APPROVED BY	DATE	TOLERANCES ARE:	
<small>THE INFORMATION CONTAINED IN THIS DRAWING IS THE SOLE PROPERTY OF SIGNAL COMPANY. ANY REPRODUCTION IN PART OR WHOLE WITHOUT THE WRITTEN PERMISSION OF SIGNAL COMPANY IS PROHIBITED.</small>		DECIMALES	ANGLES
		.x ±0.5	x.' ±2.0'
		.xx ±0.20	.x' ±1.0'
		THIRD ANGLE PROJECTION	
		SIZE: A4	UNITS: mm
		SCALE:	SHEET: 1 OF 1