

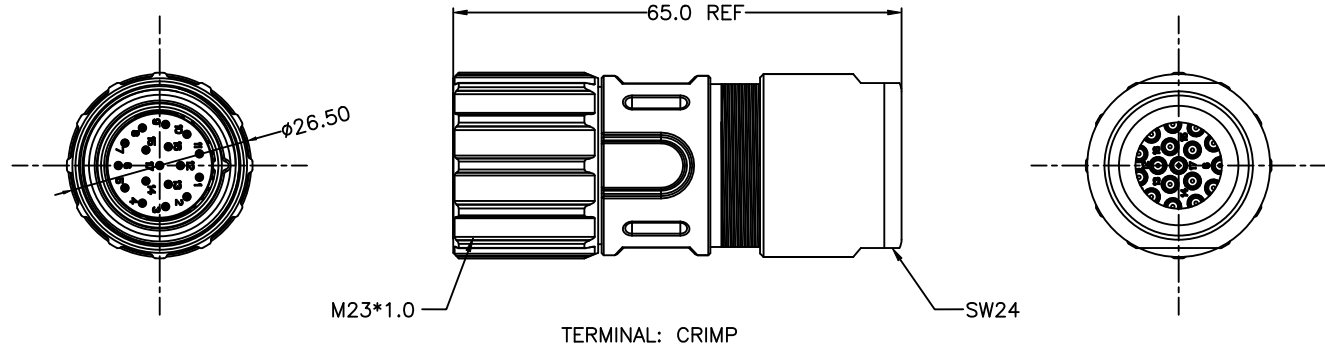
Detailed Product Description:  
 Waterproof connector rating is IP69K  
 They can not be used permanently under water  
 Per ISO-20653,IEC60529

Core wire: 24~18AWG  
 Cable peeling: 25mm  
 Core wire peeling: 3~4mm

Other Specification  
 Contact Pin: Brass with gold-plated  
 Insulation plastic: PA66  
 Shell: Zinc alloy  
 Mechanical characteristics: mating / cycle >100cycle  
 Operating temperature: -40°C ~ +85°C

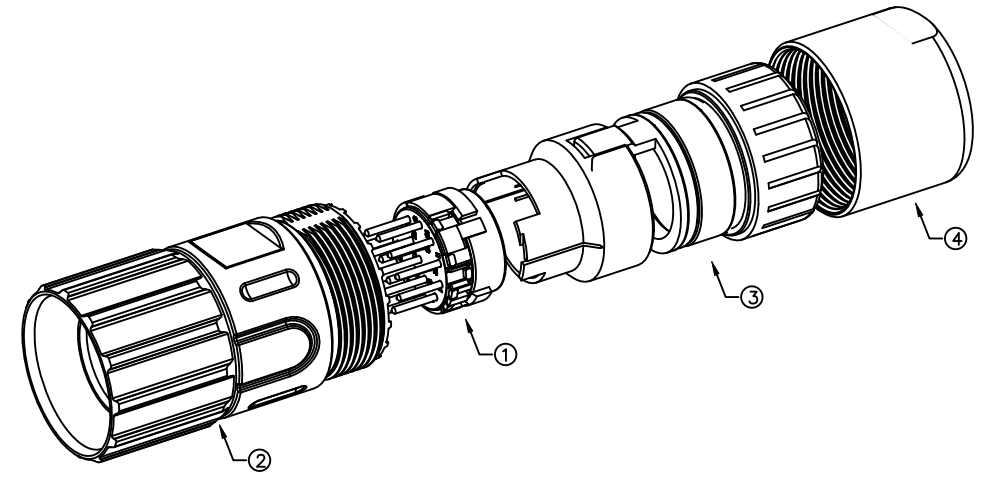
\*ALL MATERIALS ARE RoHS COMPLIANT\*

REV	DESCRIPTION	DATE	APPROVED
S0	CREATED DRAWING	2022/07/25	ZK




Electrical character

Part Number	Contacts	Rated voltage		Rated current	Contact Resistance	Cable OD (mm)
		A/C	D/C			
230012-01-012		150V	150V	8A	5mΩ	7~12
230017-01-006		150V	150V	8A	5mΩ	7~12
230019-01-008		150V	150V	16*8A+3*10A	5mΩ	7~12



④	N/A	M23 TAIL NUT	BRASS	NICKEL	1	PCS
③	N/A	M23 TAIL WATERPROOF PARTS	PA66+NBR	N/A	1	SET
②	N/A	M23 FEMALE ASSEMBLY SHELL	KIRSITE+BRASS	NICKEL	1	SET
①	N/A	M23 MALE CONNECTOR	PA66	N/A	1	SET
ITEM	PART NO.	SPECIFICATION	MATERIAL	COATING	Q'TY	UNIT



**SIGNAL**<sup>®</sup>

Shenzhen Signal Electronics Co., LTD

TITLE M23 MALE METAL ASSEMBLY CONNECTOR

SGN NO SEE TABLE

REV. S0

DRAWN BY	DATE
CHECKED BY	DATE
CHECKED BY	DATE
APPROVED BY	DATE

TOLERANCES ARE:		THIRD ANGLE PROJECTION
DECIMALES	ANGLES	
.x ±0.5	x.' ±2.0'	SIZE: A4
.xx ±0.20	.x' ±1.0'	UNITS: mm
SCALE:		SHEET: 1 OF 1

THE INFORMATION CONTAINED IN THIS DRAWING IS THE SOLE PROPERTY OF SIGNAL COMPANY. ANY REPRODUCTION IN PART OR WHOLE WITHOUT THE WRITTEN PERMISSION OF SIGNAL COMPANY IS PROHIBITED.