

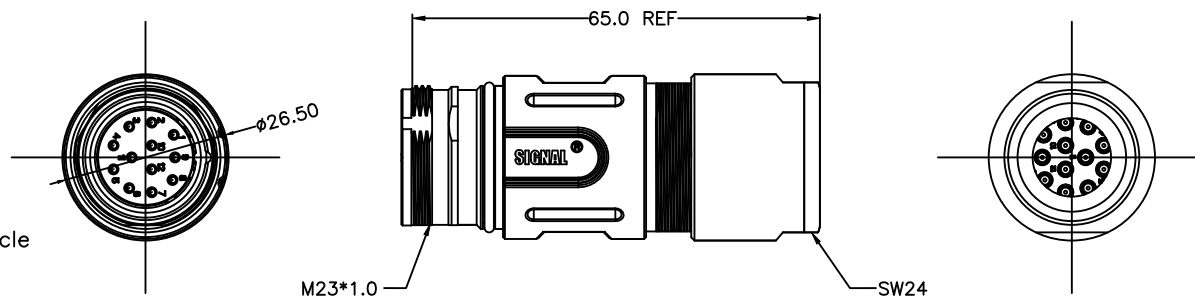
Detailed Product Description:
 Waterproof connector rating is IP69K
 They can not be used permanently under water
 Per ISO-20653,IEC60529

Core wire: 24~18AWG
 Cable peeling: 25mm
 Core wire peeling: 3~4mm

Other Specification
 Contact Pin: Copper alloy with gold-plated
 Insulation plastic: PA66
 Shell: Zinc alloy
 Mechanical characteristics: mating / cycle >100cycle
 Operating temperature: -40°C ~ +85°C

ALL MATERIALS ARE RoHS COMPLIANT

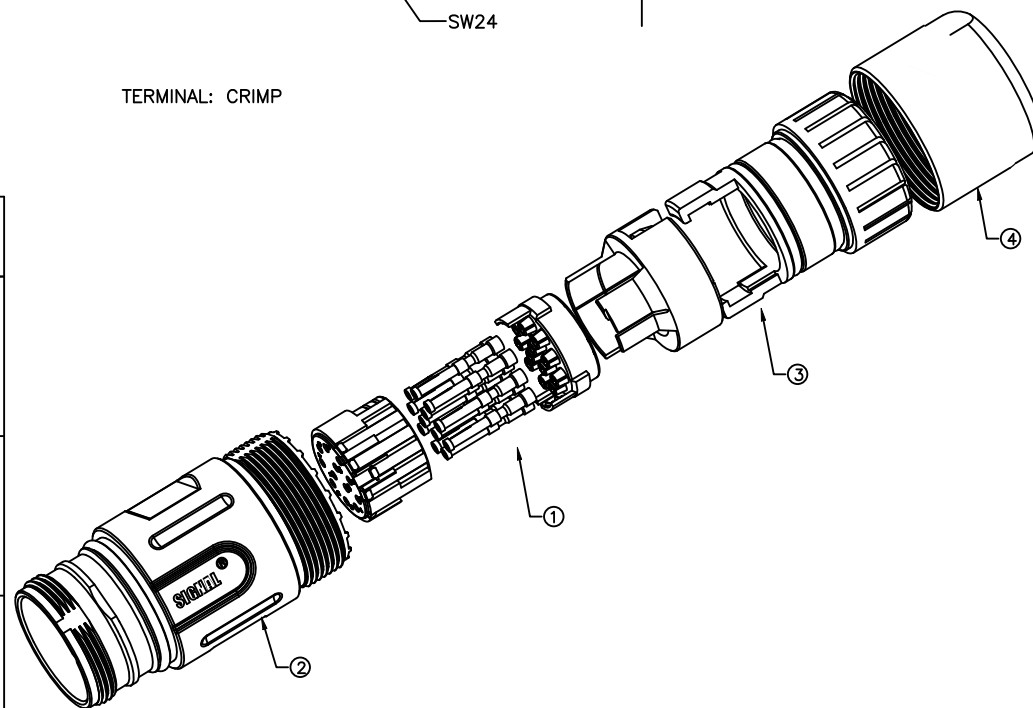
REV	DESCRIPTION	DATE	APPROVED
S0	CREATED DRAWING	2022/07/25	ZK




TERMINAL: CRIMP

Electrical character

Part Number	Contacts	Rated voltage		Rated current	Contact Resistance	Cable OD (mm)
		A/C	D/C			
230012-02-007		150V	150V	8A	5mΩ	7~12
230017-02-007		150V	150V	8A	5mΩ	7~12
230019-02-005		150V	150V	16*8A+3*10A	5mΩ	7~12



④	N/A	M23 TAIL NUT	BRASS	NICKEL	1	PCS
③	N/A	M23 TAIL WATERPROOF PARTS	PA66+NBR	N/A	1	SET
②	N/A	M23 MALE ASSEMBLY SHELL	KIRSITE+BRASS	NICKEL	1	SET
①	N/A	M23 FEMALE CONNECTOR	PA66	N/A	1	SET
ITEM	PART NO.	SPECIFICATION	MATERIAL	COATING	Q'TY	UNIT



SIGNAL[®]

Shenzhen Signal Electronics Co., LTD

DRAWN BY		DATE		TITLE	
CHECKED BY		DATE		M23 MALE METAL ASSEMBLY CONNECTOR	
CHECKED BY		DATE		SGN NO SEE TABLE	
APPROVED BY		DATE		DWG NO	
				CUSTOMER	
				REV. S0	
TOLERANCES ARE:				THIRD ANGLE PROJECTION	
DECIMALES		ANGLES		SIZE: A4	
.x ±0.5		x.' ±2.0'		UNITS: mm	
.xx ±0.20		.x' ±1.0'		SCALE:	
				SHEET: 1 OF 1	

THE INFORMATION CONTAINED IN THIS DRAWING IS THE SOLE PROPERTY OF SIGNAL COMPANY. ANY REPRODUCTION IN PART OR WHOLE WITHOUT THE WRITTEN PERMISSION OF SIGNAL COMPANY IS PROHIBITED.