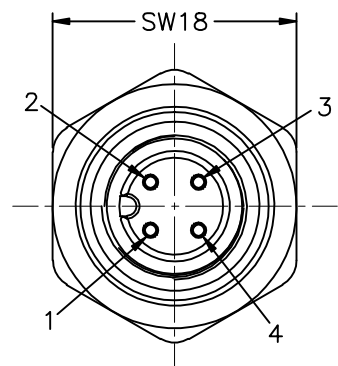
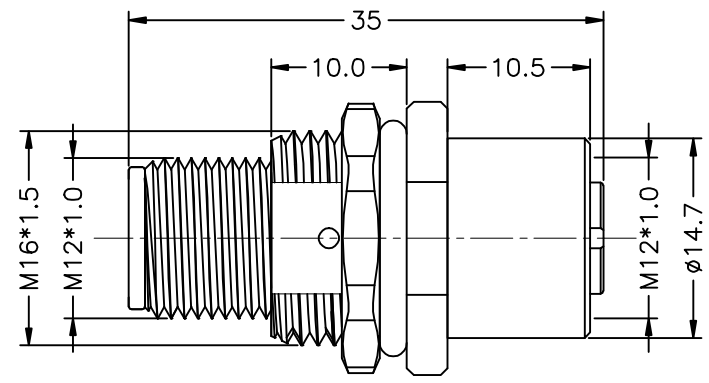
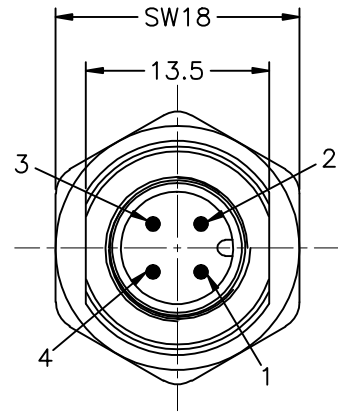
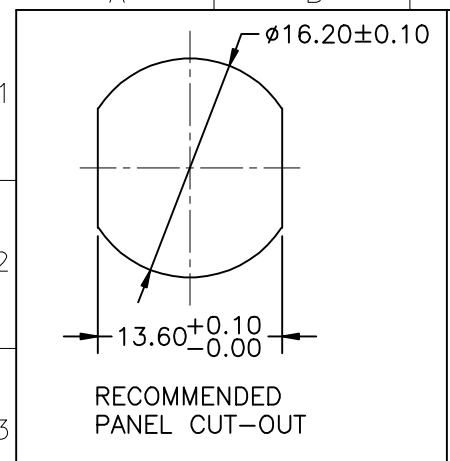


REV	DESCRIPTION	DATE	APPROVED
SO	CREATED DRAWING	2018/06/08	CYF



Detailed Product Description:
 Waterproof connector rating is IP67
 They can not be used permanently under water.

Connector Electrical character
 Rating voltage: 250V DC ,
 Insulation resistance: >100MΩ
 Rating current : 4A
 Contact resistance of connector ≤10mΩ
 Mechanical characteristics: mating / cycle >500 cycle
 Operating temperature: -25°C ~ +85°

*ALL MATERIALS ARE RoHS COMPLIANT.

ITEM	PART NO.	SPECIFICATION	Q'TY	UNIT
7	⑦ NU00002	M16 BRASS PLATED NI L*W=2.8*18mm	1	PCS
	⑥ GL00002	Black glue A/B (ethoxyline resin)	2	G
	⑤ OR00012	O-Ring GREEN FKM ϕ 7.00*1.5mm	1	PCS
	④ OR00008	O-Ring GREEN FKM ϕ 13.0* ϕ 2.0mm	1	PCS
	③ WK00189	M12 BRASS WITH NI PLATED, MALE AND FEMALE CONNECT SHELL L=32.8mm	1	PCS
8	② CN00079	M12 A Coding 4pin Female connector short style	1	SET
	① CN00076	M12 A Coding 4pin male connector short style	1	SET

SIGNAL[®]

ShenZhen Signal Electronics co.,Ltd

DRAWN BY		DATE	TITLE M12 4P/M TO 4P/F ADAPTER CONNECTOR	
CHECKED BY		DATE	SGN NO 120104-10-001	REV.
APPROVED BY		DATE	DWG NO SPM12SA04001	SO
			CUSTOMER	
TOLERANCES ARE:		THIRD ANGLE PROJECTION		
DECIMALES	ANGLES	SIZE: A4	UNITS: mm	
.x ±0.15	x' ±1.0°	SCALE:	SHEET: 1 OF 1	
.xx ±0.10	.x' ±0.5°			

THE INFORMATION CONTAINED IN THIS DRAWING IS THE SOLE PROPERTY OF SIGNAL COMPANY. ANY REPRODUCTION IN PART OR WHOLE WITHOUT THE WRITTEN PERMISSION OF SIGNAL COMPANY IS PROHIBITED.