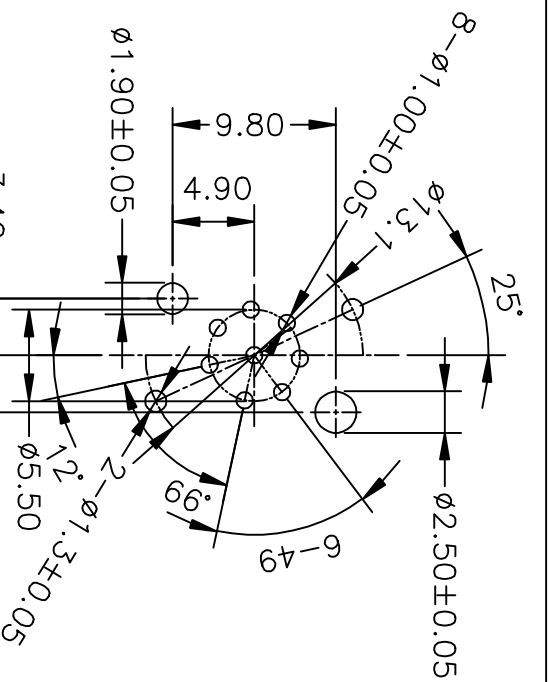
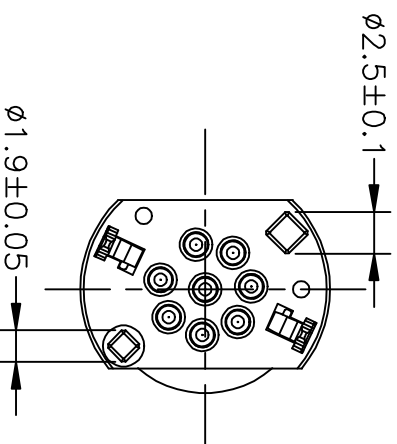
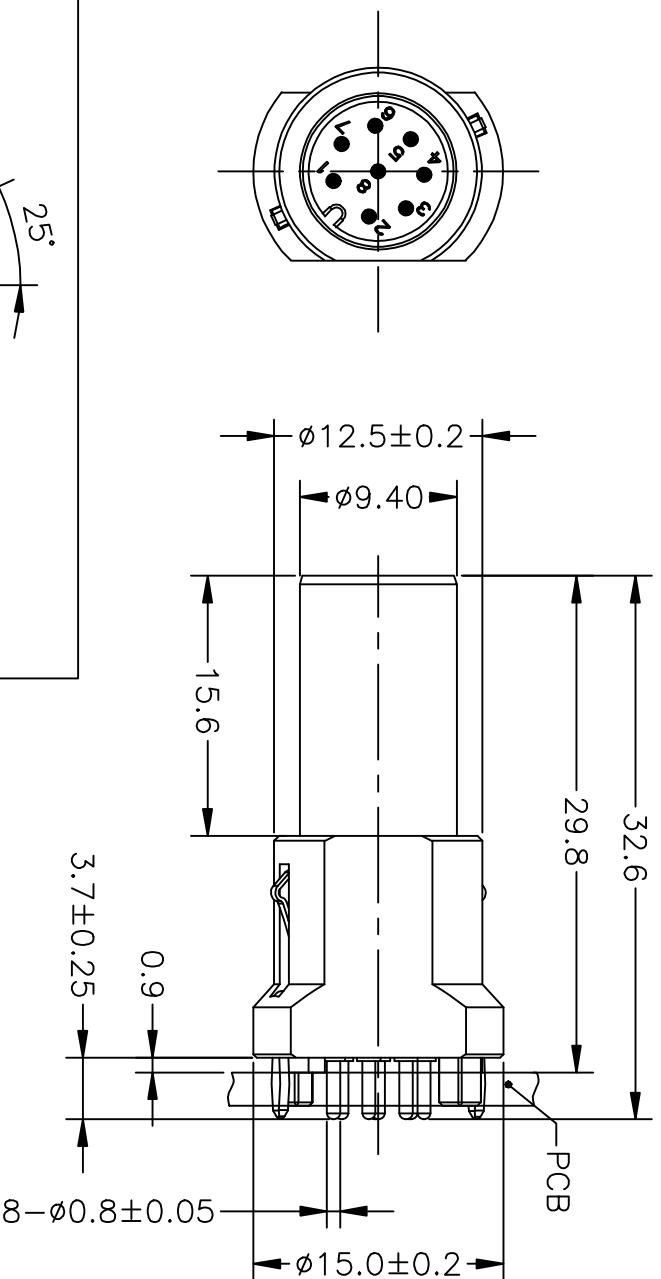
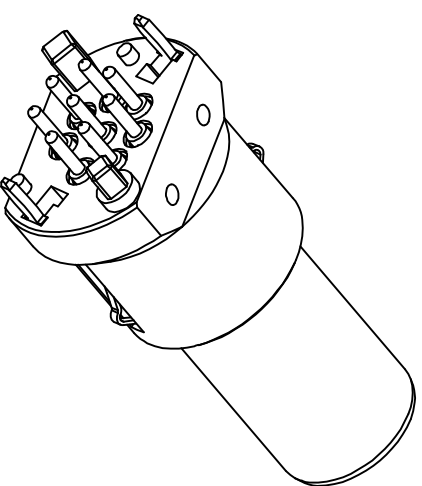
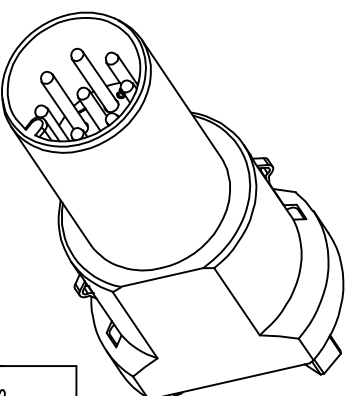


REV	DESCRIPTION	DATE	APPROVED
S0	CREATED DRAWING	2021/08/02	CRB
S1	UPDATE DRAWING	2022/01/04	ZK



RECOMMENDED PCB LAYOUT
(GERNERAL TOLERANCE: $\pm 0.05\text{mm}$)



SIGNAL		Shenzhen Signal Electronics co.,Ltd	
DRAWN BY	DATE	SGN NO	120108-03-151
CHECKED BY	DATE	DWG NO	SGNYD2108075-7
CHECKED BY	DATE	CUSTOMER	
APPROVED BY	DATE	TOLERANCES ARE:	THIRD ANGLE PROJECTION
		DECIMALS	ANGLES
		x: ± 0.5	x: $\pm 2.0^\circ$
		.xx: ± 0.20	.x: $\pm 1.0^\circ$
		SCALE: 1:1	SHEET: 1 OF 1