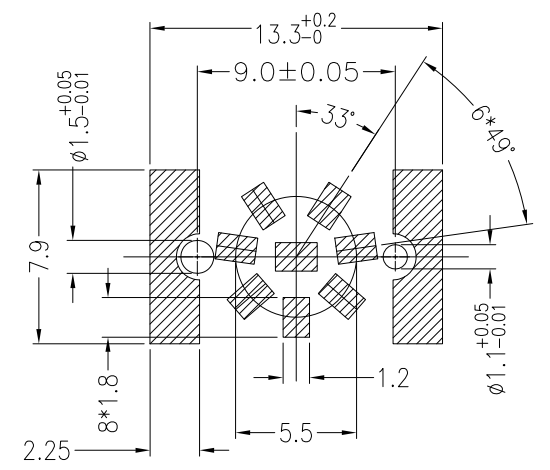
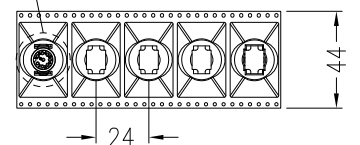
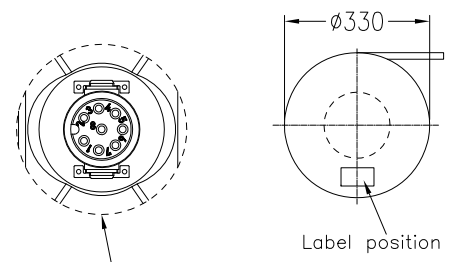


REV	DESCRIPTION	DATE	APPROVED
S5	UPDATE DRAWING	2018/8/8	CRB
S6	UPDATE DIMENSIONING	2018/10/16	CRB



RECOMMENDED PCB LAYOUT



TAPE AND REEL WITH CAP /100 PCS

Detailed Product Description
 Connector electrical characteristics:
 Rating voltage: 30V
 Insulation resistance: >100MΩ
 Rating current: 2A
 Contact resistance of connector ≤5mΩ
 Mechanical characteristics: mating / cycle >100 cycle
 Termination: SMT
 PINS: 8
 CODING: A
 Configuration: M12, female / stamped contacts
 The highest temperature: 265°C
 According to IEC61076-2-101
 Marked "★" for key inspection dimensions
 *ALL MATERIALS ARE RoHS COMPLIANT.

SIGNAL [®] Shenzhen Signal Electronics Co., LTD		TITLE	
		M12 A 8P/F SMT CONNECTCOR	
DRAWN BY		DATE	TOLERANCES ARE:
CHECKED BY		DATE	DECIMALES ANGLES
APPROVED BY		DATE	THIRD ANGLE PROJECTION
<small>THE INFORMATION CONTAINED IN THIS DRAWING IS THE SOLE PROPERTY OF SIGNAL COMPANY. ANY REPRODUCTION IN PART OR WHOLE WITHOUT THE WRITTEN PERMISSION OF SIGNAL COMPANY IS PROHIBITED.</small>		.x ±0.15	x.' ±1.0'
		.xx ±0.10	.x' ±0.5'
		SCALE:	UNITS: mm
			SHEET: 1 OF 1