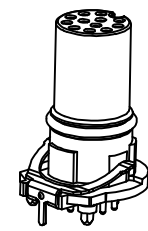
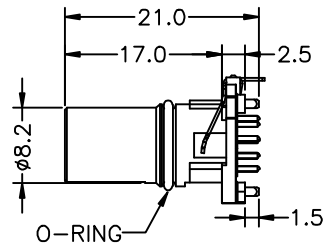
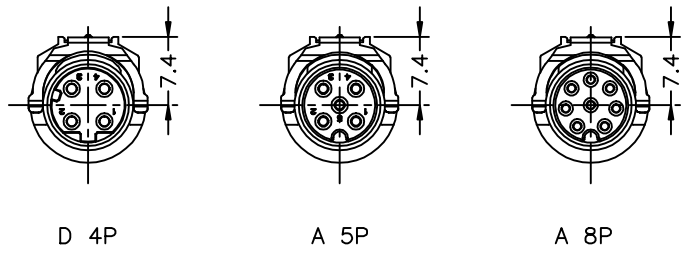
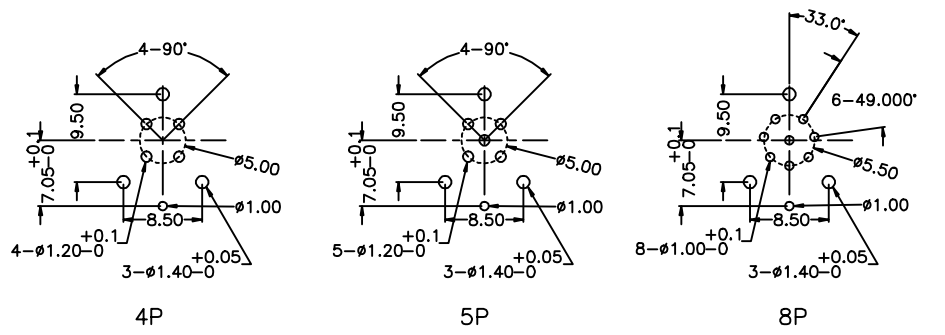


REV	DESCRIPTION	DATE	APPROVED
S0	CREATED DRAWING	2023/04/15	ZK



Detailed Product Description
 Connector electrical characteristics:
 Insulation resistance: >100MΩ
 Contact resistance of connector ≤5mΩ
 Mechanical characteristics: mating / cycle >100 cycle
 Configuration: M12, Female / stamped contacts
 The highest temperature: 265°C
 According to IEC61076-2-101

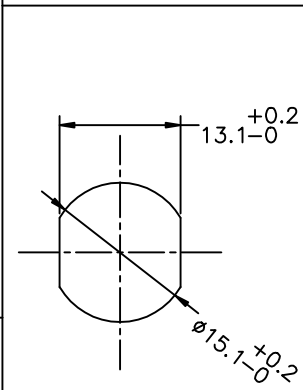
*ALL MATERIALS ARE RoHS COMPLIANT.



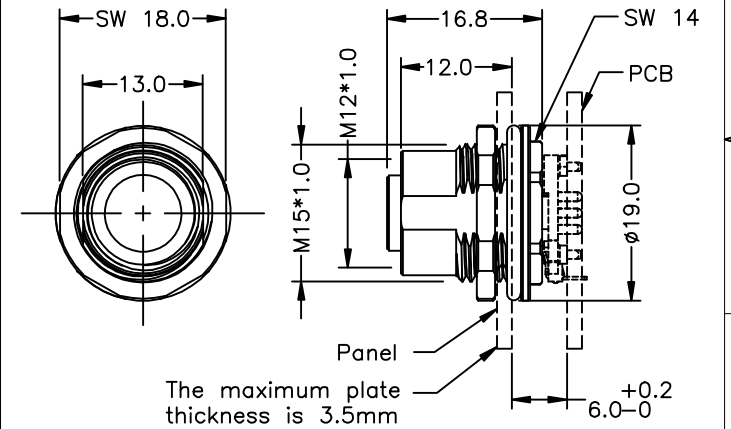
RECOMMENDED PCB LAYOUT

Electrical character

Contacts	Rated voltage	Rated current	Grounding strip	Copper needle coating thickness	Part Number	
	A/C					D/C
	250V	250V	4A	WITH	1u"	120404-04-151
				WITH	30u"	120404-04-153
				WITHOUT	1u"	120404-04-154
				WITHOUT	30u"	120404-04-155
	60V	60V	4A	WITH	1u"	120105-04-147
				WITH	30u"	120105-04-153
				WITHOUT	1u"	120105-04-154
				WITHOUT	30u"	120105-04-155
	30V	30V	2A	WITH	1u"	120108-04-145
				WITH	30u"	120108-04-150
				WITHOUT	1u"	120108-04-151
				WITHOUT	30u"	120108-04-152



RECOMMEND PANEL CUT-OUT



MATCHING SHELL



Shenzhen Signal Electronics Co., LTD

DRAWN BY	DATE
CHECKED BY	DATE
CHECKED BY	DATE
APPROVED BY	DATE

TITLE M12 FEMALE PANEL CONNECTOR(THR)	
SGN NO SGNYD2304018-2	REV.
DWG NO	S0
CUSTOMER	
TOLERANCES ARE:	THIRD ANGLE PROJECTION
DECIMALES .x ±0.15 .xx ±0.10	ANGLES x' ±1.0' .x' ±0.5'
SIZE: A4	UNITS: mm
SCALE:	SHEET: 1 OF 1