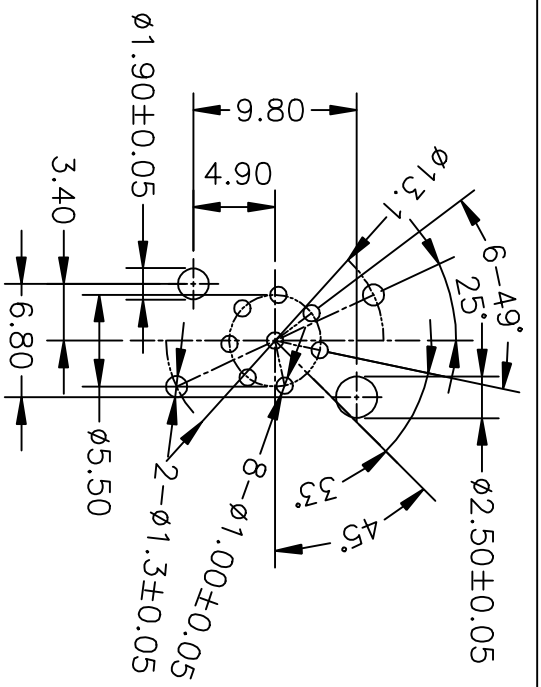
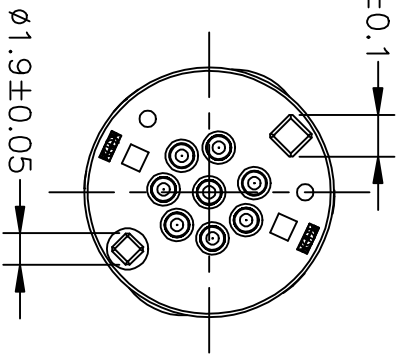
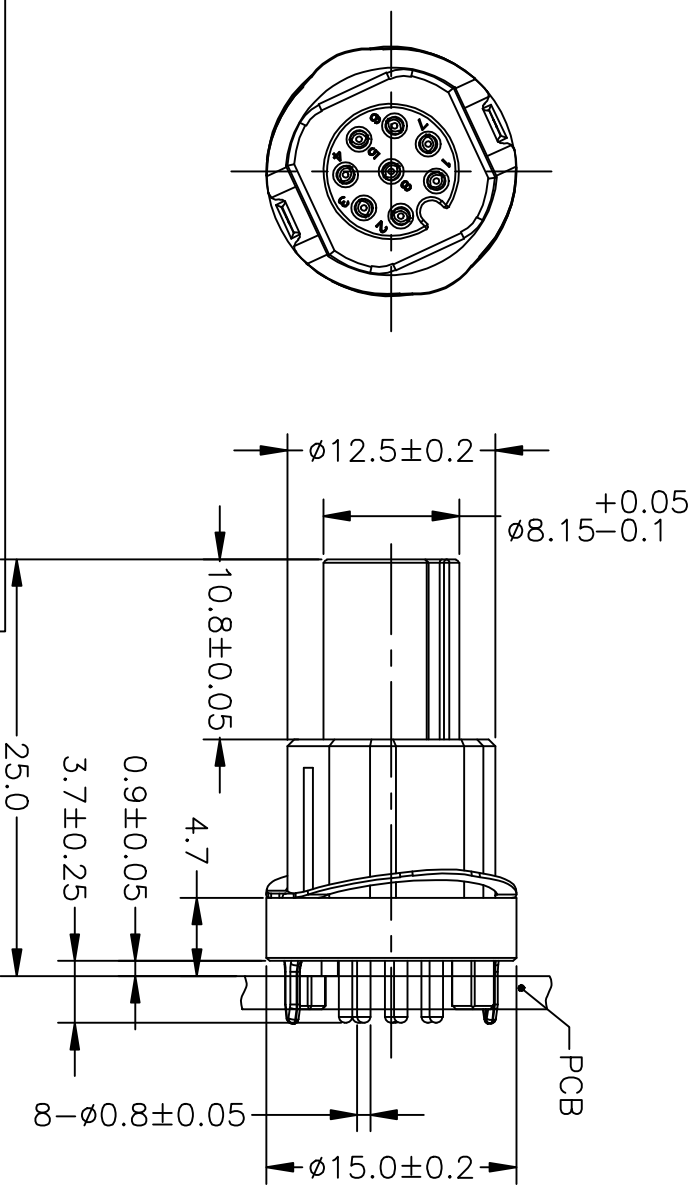
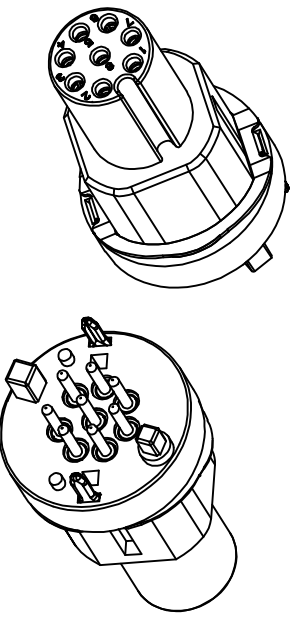


REV	DESCRIPTION	DATE	APPROVED
S0	CREATED DRAWING	2023/01/10	ZK



RECOMMENDED PCB LAYOUT  
(GENERAL TOLERANCE: ±0.05mm)



Shenzhen Signal Electronics co.,Ltd

<b>SIGNAL</b>		TITLE	
M12 A-CODING 8PIN FEMALE PCB RECEPTACLE		SGN NO	120108-04-146
DRAWN BY		DWG NO	SGNYD2108075-4
CHECKED BY		CUSTOMER	
CHECKED BY		DATE	
APPROVED BY		DATE	
THE INFORMATION CONTAINED IN THIS DRAWING IS THE SOLE PROPERTY OF SIGNAL COMPANY. ANY REPRODUCTION IN PART OR WHOLE WITHOUT THE WRITTEN PERMISSION OF SIGNAL COMPANY IS PROHIBITED.		TOLERANCES ARE:	
DECIMALS		X: ±0.5	
ANGLES		X: ±2.0°	
THIRD ANGLE PROJECTION		SIZE: A4	
SCALE: 1:1		UNITS: mm	
SHEET: 1 OF 1		REV. SO	

Web: <http://www.signal-conector.com/>

E-mail: [signal@sz-signal.com](mailto:signal@sz-signal.com)