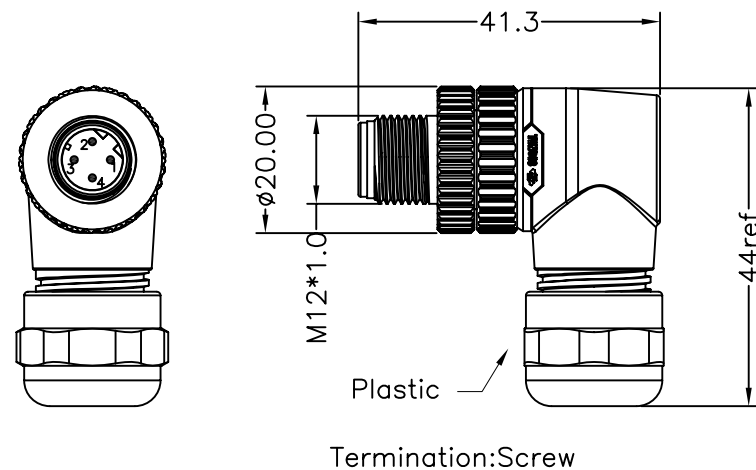


REV	DESCRIPTION	DATE	APPROVED
S0	CREATED DRAWING	2019/07/12	YMX

Detailed Product Description:  
 Waterproof connector rating is IP67  
 They can not be used permanently under water.

Connector Electrical character  
 Rating voltage: IEC ,  
 Insulation resistance: >100MΩ  
 Rating current : IEC  
 Contact resistance of connector ≤10mΩ  
 Mechanical characteristics: mating / cycle >100  
 cycle  
 Operating temperature: -25°C ~ +85°

\*ALL MATERIALS ARE RoHS COMPLIANT.



Electrical character

Part Number	Contacts	Rated voltage		Rated current	Contact Resistance	Cable OD (mm)
		A/C	D/C			
120404-01-024		250V	250V	4A	10mΩ	6~8

<b>SIGNAL</b> ® Shenzhen Signal Electronics Co., LTD		TITLE M12 D 4P/M assembly angle connector (plastic)	
		SGN NO 120404-01-024	REV. S0
DRAWN BY	DATE	DWG NO AS12DM04010	
CHECKED BY	DATE	CUSTOMER	
APPROVED BY	DATE	TOLERANCES ARE:	
<small>THE INFORMATION CONTAINED IN THIS DRAWING IS THE SOLE PROPERTY OF SIGNAL COMPANY. ANY REPRODUCTION IN PART OR WHOLE WITHOUT THE WRITTEN PERMISSION OF SIGNAL COMPANY IS PROHIBITED.</small>		DECIMALES .x ±0.5	ANGLES x.' ±2.0'
		.xx ±0.20	.x' ±1.0'
		THIRD ANGLE PROJECTION	
		SCALE:	SHEET: 1 OF 1