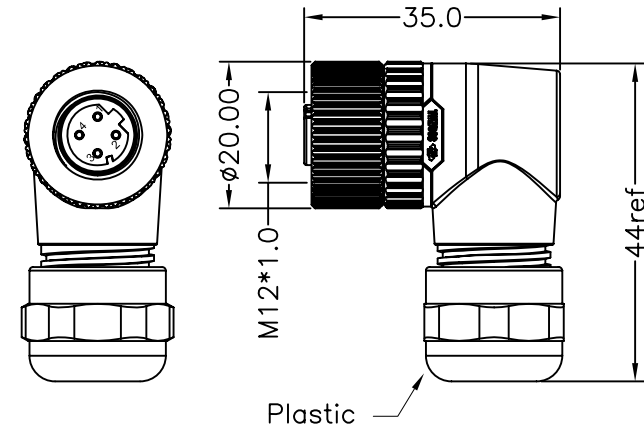


REV	DESCRIPTION	DATE	APPROVED
S0	CREATED DRAWING	2019/07/12	YMX

Detailed Product Description:
 Waterproof connector rating is IP67
 They can not be used permanently under water.

Connector Electrical character
 Rating voltage: IEC ,
 Insulation resistance: >100MΩ
 Rating current : IEC
 Contact resistance of connector ≤10mΩ
 Mechanical characteristics: mating / cycle >100
 cycle
 Operating temperature: -25°C ~ +85°

*ALL MATERIALS ARE RoHS COMPLIANT.



Termination:Screw

Electrical character

Part Number	Contacts	Rated voltage		Rated current	Contact Resistance	Cable OD (mm)
		A/C	D/C			
120404-02-024		250V	250V	4A	10mΩ	6~8

SIGNAL [®] Shenzhen Signal Electronics Co., LTD		TITLE M12 D 4P/F assembly angle connector(plastic)	
		SGN NO 120404-02-024	REV.
DRAWN BY	DATE	DWG NO ASM12DF04010	SO
CHECKED BY	DATE	CUSTOMER	
APPROVED BY	DATE	TOLERANCES ARE:	
<small>THE INFORMATION CONTAINED IN THIS DRAWING IS THE SOLE PROPERTY OF SIGNAL COMPANY. ANY REPRODUCTION IN PART OR WHOLE WITHOUT THE WRITTEN PERMISSION OF SIGNAL COMPANY IS PROHIBITED.</small>		DECIMALES .x ±0.5	ANGLES x.' ±2.0'
		.xx ±0.20	.x' ±1.0'
		THIRD ANGLE PROJECTION	SIZE: A4
		SCALE:	UNITS: mm
			SHEET: 1 OF 1