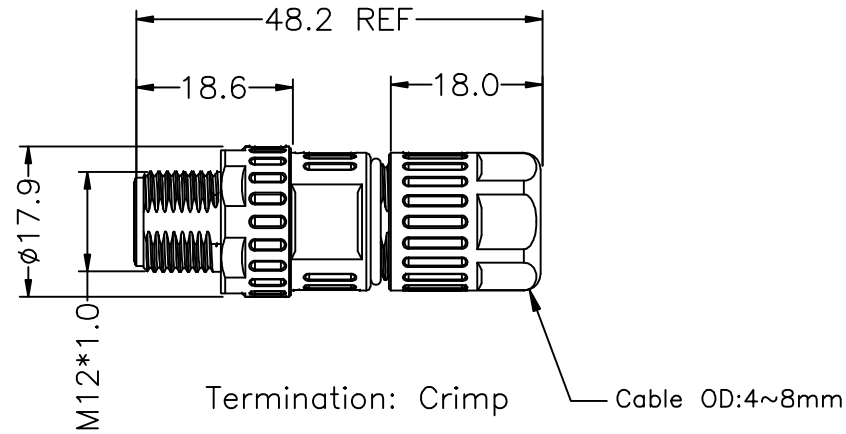
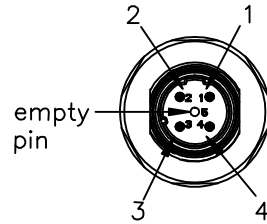


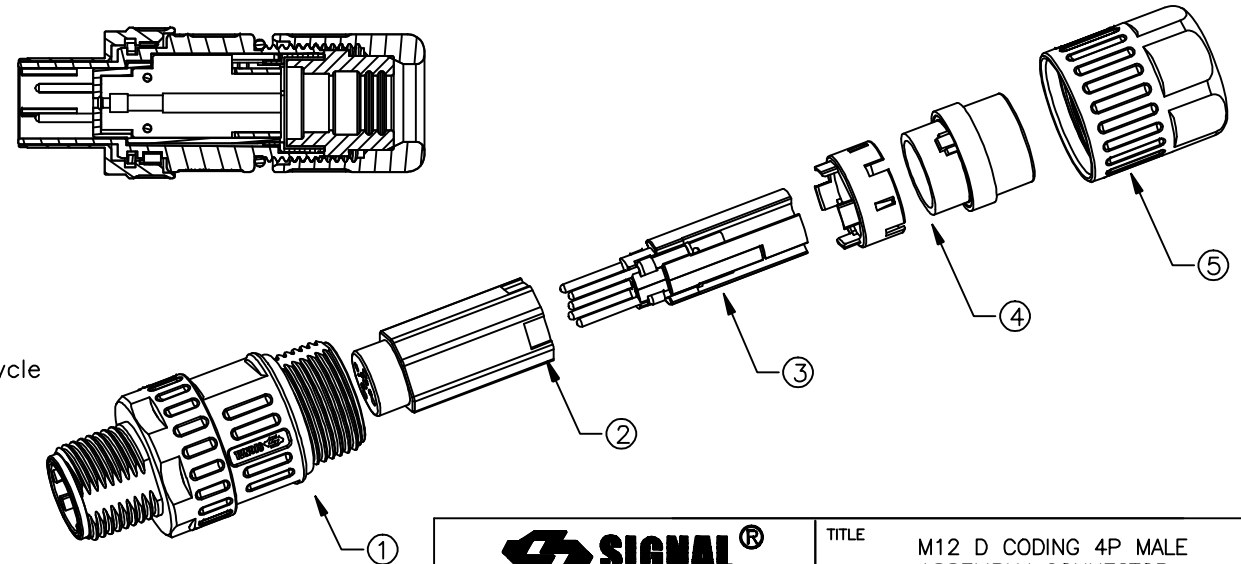
REV	DESCRIPTION	DATE	APPROVED
S0	CREATED DRAWING	2021/04/09	ZK



Detailed Product Description:  
 Waterproof connector rating is IP67  
 They can not be used permanently under water  
 Per ISO-20653,IEC60529

Connector Electrical character  
 Rating voltage: 250V  
 Insulation resistance: >100MΩ  
 Rating current : 4A  
 Contact resistance of connector ≤10mΩ  
 Mechanical characteristics: mating / cycle >100cycle  
 Operating temperature: -25°C ~ +85°C

\*ALL MATERIALS ARE RoHS COMPLIANT\*



ITEM	PART NO.	SPECIFICATION	Q'TY	UNIT
⑤	N/A	M14*1.0 TAIL NUT	1	SET
④	N/A	TAIL WATERPROOF PARTS	1	SET
③	N/A	M12 D 4P MALE CONNECTOR PARTS	1	SET
②	N/A	INSULATOR SHEATH	1	SET
①	N/A	M12*1.0 SHELL PART	1	SET

DRAWN BY		DATE	TITLE	
CHECKED BY		DATE	M12 D CODING 4P MALE ASSEMBLY CONNECTOR	
APPROVED BY		DATE	SGN NO	120404-01-040
			DWG NO	
			CUSTOMER	
			REV.	S0
TOLERANCES ARE:		THIRD ANGLE PROJECTION		
DECIMALES	ANGLES	SIZE: A4	UNITS: mm	
.x ±0.5	.x' ±2.0'	SCALE:	SHEET: 1 OF 1	
.xx ±0.20	.x' ±1.0'			

**SIGNAL**<sup>®</sup>  
 Shenzhen Signal Electronics Co., LTD  
 THE INFORMATION CONTAINED IN THIS DRAWING IS THE SOLE PROPERTY OF SIGNAL COMPANY. ANY REPRODUCTION IN PART OR WHOLE WITHOUT THE WRITTEN PERMISSION OF SIGNAL COMPANY IS PROHIBITED.