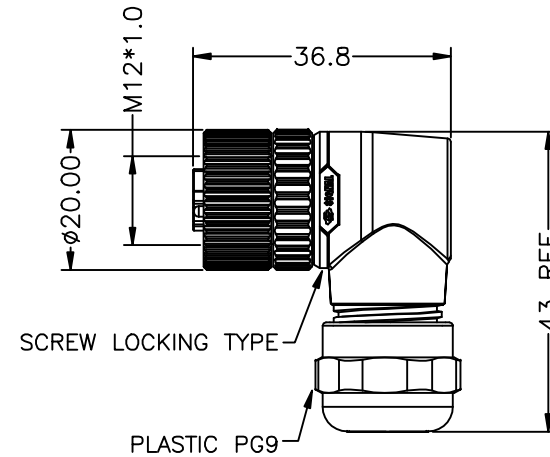
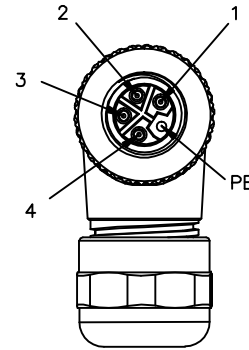
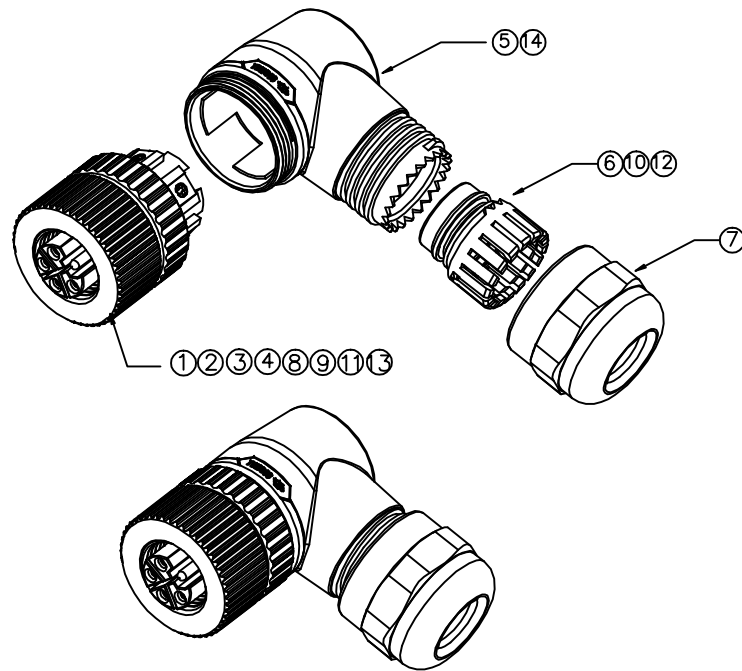
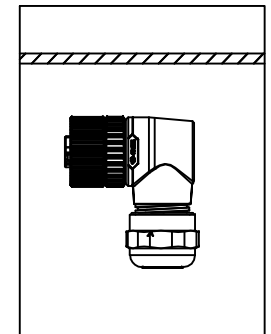


REV	DESCRIPTION	DATE	APPROVED
S0	CREATED DRAWING	2019/10/10	ZK
S1	UPDATE DRAWING	2019/11/21	ZK



Static Bag Packaging




Detailed Product Description:
Waterproof connector rating is IP67
They can not be used permanently under water.

Electrical character
Rating voltage: 63V AC/DC
Insulation resistance: >100MΩ
Rating current: 16A
Contact resistance: ≤5mΩ
Mechanical characteristics:
mating / cycle >500 cycle
Operating temperature: -40°C ~ +85°C

*ALL MATERIALS ARE RoHS COMPLIANT.

⑭	CN00426	BLUE PLASTIC ASSEMBLY SNAP RING WITH "SIGNAL" LOGO	1	PCS
⑬	OR00013	O-RING GREEN FKM $\phi 7.00 \times 1.0\text{mm}$	1	PCS
⑫	OR00012	O-RING GREEN FKM $\phi 7.00 \times 1.5\text{mm}$	1	PCS
⑪	OR00048	O-RING GREEN FKM $\phi 10.0 \times \phi 1.5\text{mm}$	1	PCS
⑩	OR00046	M12 TAIL SEAL RING $\phi 11.8 \times 7.5\text{mm}$ FKM	1	PCS
⑨	WK00174	M12 ALUMINA FEMALE ASSEMBLY NUT $\phi 20 \times 9.7\text{mm}$	1	PCS
⑧	NU00035	M2.5*0.45 M12 ASSEMBLY SCREW	5	PCS
⑦	CN00253	M12 PLASTIC ASSEMBLY TAIL HEXAGON NUT (PA66+GF)	1	PCS
⑥	CN00252	M12 PLASTIC ASSEMBLY EIGHT CLAWS AT TAIL	1	PCS
⑤	CN00284	M12 90° PLASTIC ASSEMBLY MAIN BODY (PA66+GF BLACK)	1	PCS
④	CN00250	M12 PLASTIC ASSEMBLY FIXED NUT (PA66+GF BLACK)	1	PCS
③	TE00612-1	M12 L CODING PHOSPHORUS BRONZE GOLD PLATING FEMALE TERMINAL	4	PCS
②	TE00611-1	M12 L CODING BLASS GOLD PLATING MALE TERMINAL	1	PCS
①	YDCN0213	M12 L CODING 5P(4+PE) FEMALE PLASTIC ASSEMBLY (PA66+GF)	1	PCS
ITEM	PART NO.	SPECIFICATION	Q'TY	UNIT

 Shenzhen Signal Electronics Co., LTD		TITLE M12 L CODING 5 PIN(4+PE) FEMALE CONNECTOR (90° PLASTIC)	
		SGN NO 121005-02-003	REV.
DRAWN BY	DATE	DWG NO SGNYD1910014	S1
CHECKED BY	DATE	CUSTOMER	
APPROVED BY	DATE	TOLERANCES ARE:	THIRD ANGLE PROJECTION
<small>THE INFORMATION CONTAINED IN THIS DRAWING IS THE SOLE PROPERTY OF SIGNAL COMPANY. ANY REPRODUCTION IN PART OR WHOLE WITHOUT THE WRITTEN PERMISSION OF SIGNAL COMPANY IS PROHIBITED.</small>		DECIMALES .x ±0.5 .xx ±0.2	ANGLES x.' ±1.0' .x' ±0.5'
		SIZE: A4	UNITS: mm
		SCALE:	SHEET: 1 OF 1